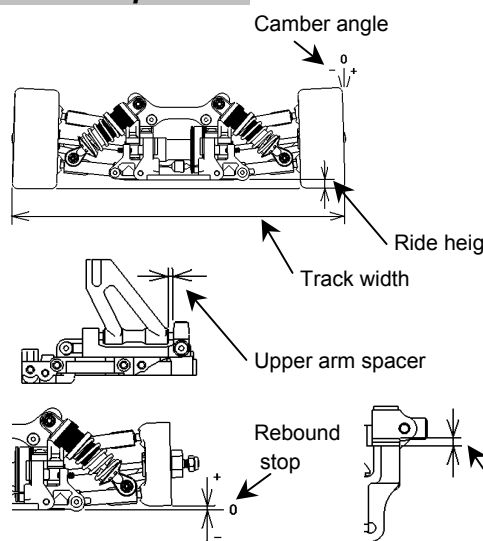


Name: _____
 Date: _____
 Track: _____

Track conditions

Size: Open Med. Tight
 Traction: High Med. Low
 Surface: Smooth Med. Bumpy

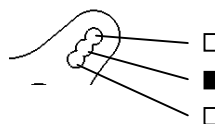
Front suspension



Track width 199 mm
 Ride height 4 mm
 Camber angle -1.5 °
 Upper arm spacer 2 mm
 Toe angle out 1 °
 Rebound stop 2 mm
 Bump stop None Use
 Upper arm position 1 mm
 Anti-roll bar T0138-B T0164
 Upright position 1 mm

Front shock

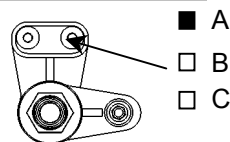
Piston Stock
 Oil # 600
 Spring Light blue
 Sock position



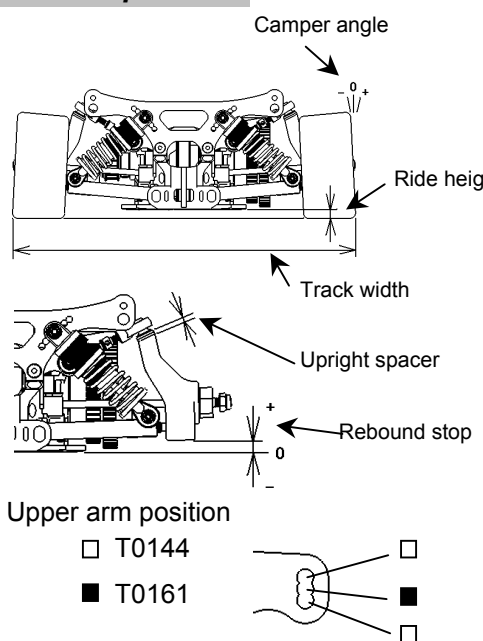
Front Diff.

One way
 Gear diff. Oil # _____
 Solid

Steering ackerman



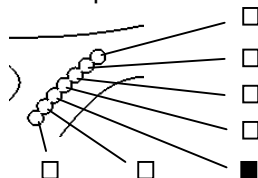
Rear suspension



Track width 200 mm
 Ride height 5 mm
 Camber angle -3 °
 Toe angle in 2 °
 Rebound stop 5 mm
 Bump stop None Use
 Lower arm position
 Upright spacer 2 mm
 Anti-roll bar Wire Adjustable(T0162) ϕ 2.1
 Upper arm position 0 mm
 Wheel Hub Spacer 1 mm

Rear Shock

Piston Stock
 Oil # 600
 Spring Light blue
 Shock position



Rear Diff.

Oil # 10,000

Engine Type _____
 Gasket _____ mm Muffler _____
 Plug _____ Fuel _____

Clutch

Clutch shoe Black Gray Yellow
 Centrifugal shoe Light weight
 Spring Super hard
 Clutch bell clearance 0.4 mm
 Spring adj. Nut position 0.8 mm

Tire <Front> Type _____ <Rear> Type _____
 Dia.(start) L /R _____ Dia.(start) L /R _____
 Dia.(finish) L /R _____ Dia.(finish) L /R _____

Brake pad

Black Other

Body Type _____
 Wing _____

Drive ratio

Gear ratio Side pulley
 1st. 17/59 24T
 2nd. 23/53 25T

Result
 Race time / Lap _____
 Best lap (1Lap) _____

Comments:

