

MBX-4RR Set Up Sheet

Ver.0002

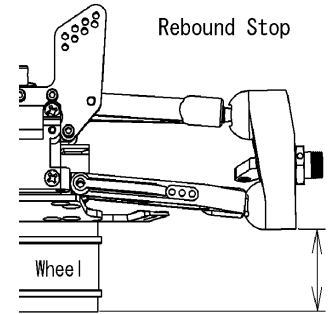
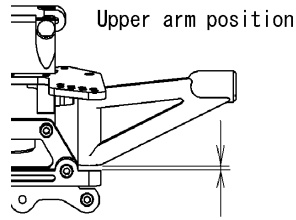


Name : Kenji Osaka
Date : 8/27/00 Japan Championship
Track : Kawasemi Jr.

Track Size: Open Med. Tight
Conditions Traction: High Med. Low
 Surface: Smooth Med. Bumpy

Front suspension

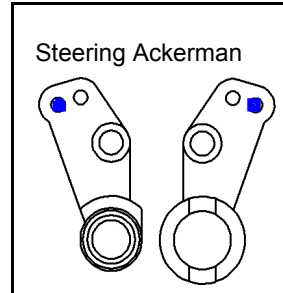
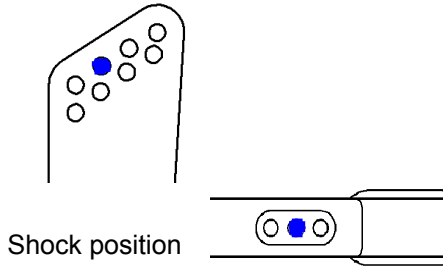
Camber angle -2.5 °
 Upper arm position 0 mm
 Toe angle out 1.5 °
 Rebound stop 30 mm



Bump stop
 None Use
 Anti-roll bar
 None Use 2.1 mm

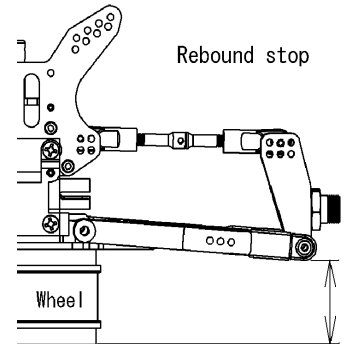
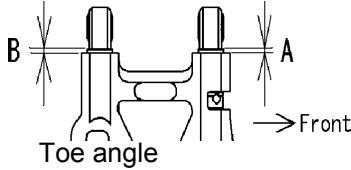
Shocks

Piston 1.3x2
 Oil # 350
 Spring Silver
 Spacer 5 mm

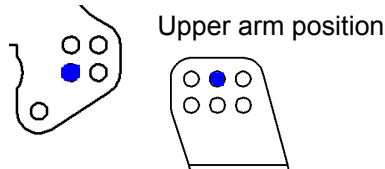


Rear suspension

Camber angle -3.5 °
 Toe angle A 1.2 mm
 B 1.2 mm
 Rebound stop 27 mm

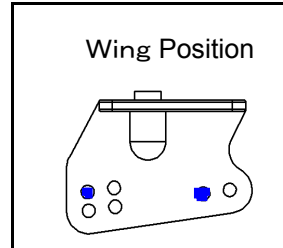
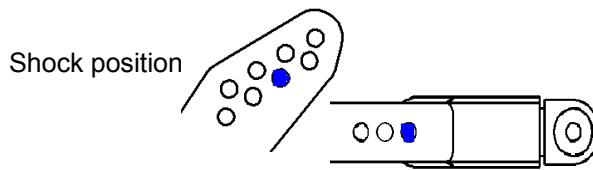


Bump stop
 None Use
 Anti-roll bar
 None Use 2.6 mm



Shocks

Piston 1.3x2
 Oil # 300
 Spring Silver
 Spacer 5 mm



Engine Type Nova BX21SBK
 Gasket 0.8 mm Muffler Nova 053 Polish
 Plug 7G Fuel Bylon

Diff. Oil Front # 5000 (38T)
 Center # 7000 (44T)
 Rear # 1000

Tires **Front** Type Atomic
 Insert Mugen L
Rear Type Atomic
 Insert Mugen L

Clutch Clutch shoes Black White
 Spring 1.0 mm
 Clutch bell 13 T

Result
 Race time / Lap _____
 Best lap (1Lap) _____

Comments :

