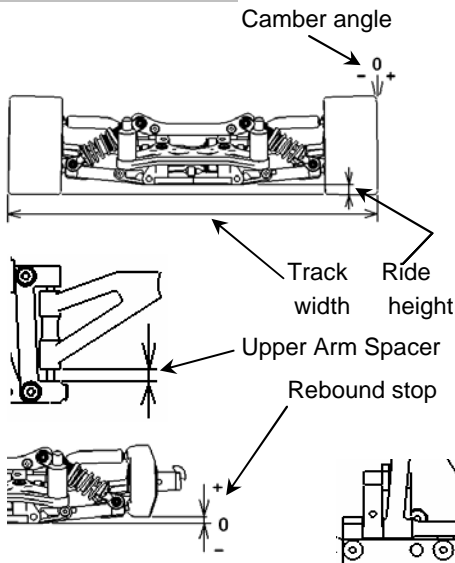


Name: _____
Date: _____
Track: _____

Track Conditions

Size: Open Med. Tight
 Traction: High Med. Low
 Surface: Smooth Med. Bumpy

Front suspension



Track width _____ mm
 Ride height _____ mm
 Camber angle _____ °
 Upper Arm Spacer _____ mm
 Toe angle _____ °
 Rebound stop _____ mm
 Bump stop None Use
 Lower arm spacer _____ mm
 Upper arm position _____ mm
 Anti-roll bar

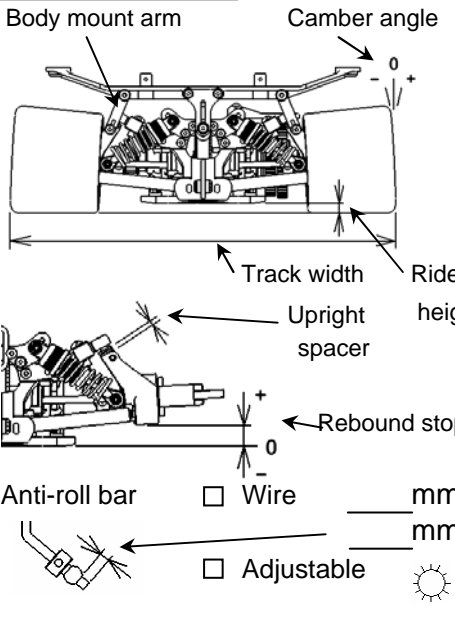
Front Upright

_____ mm
 _____ mm

Eccentric Hub

T0154
 H0188

Rear suspension



Track width _____ mm
 Ride height _____ mm
 Camber angle _____ °
 Toe angle _____ °
 Rebound stop _____ mm
 Bump stop None Use
 Lower arm position(H0134)
 4.5mm 5mm 5.5mm
 Upright spacer _____ mm
 Upper Arm Position _____ mm
 Eccentric Hub
 T0154
 H0188
 Body mount arm
 H0466C(Short)
 H0466F(Long)

Front shock

Piston _____
 Oil # _____
 Springs _____
 Shock position _____

Steering ackerman

A
 B
 C
 D

Rear shock

Piston _____
 Oil # _____
 Springs _____
 Shock position _____

Engine Type _____ Muffler _____
 Gasket _____ mm Manifold _____
 Plug _____ Fuel _____

Clutch

Clutch shoe Yellow Gray Red
 Centrifugal shoe _____
 Spring _____
 Clutch bell clearance _____ mm
 Spring adj. nut position _____ mm

Tire

<Front>		<Rear>	
Type _____	Type _____	Type _____	Type _____
Dia.(start) _____ L /R _____	Dia.(start) _____ L /R _____	Dia.(start) _____ L /R _____	Dia.(start) _____ L /R _____
Dia.(finish) _____ L /R _____	Dia.(finish) _____ L /R _____	Dia.(finish) _____ L /R _____	Dia.(finish) _____ L /R _____

Brake pad Black Yellow

Body Type _____
 Body position _____ mm
 Rear spoiler _____ mm

Drive ratio

Gear ratio _____ Side pulley _____
 1st. _____ / _____ 25T
 2nd. _____ / _____ 26T

Result

Race time / Lap _____
 Best lap (1Lap) _____

Comments:

.....

