

# PRO STARTER R3

## B0236BKa INSTRUCTION MANUAL

### FOR 1/8 SCALE RACING CAR and 1/10 SCALE TOURING CAR

Congratulations for buying the MUGEN PRO STARTER R3.  
The PRO STARTER R3 runs on two 7.2~7.4V batteries (purchase separately)  
and uses two 540 motors.  
This starter box is compact size and easy to start the engine.

#### Caution

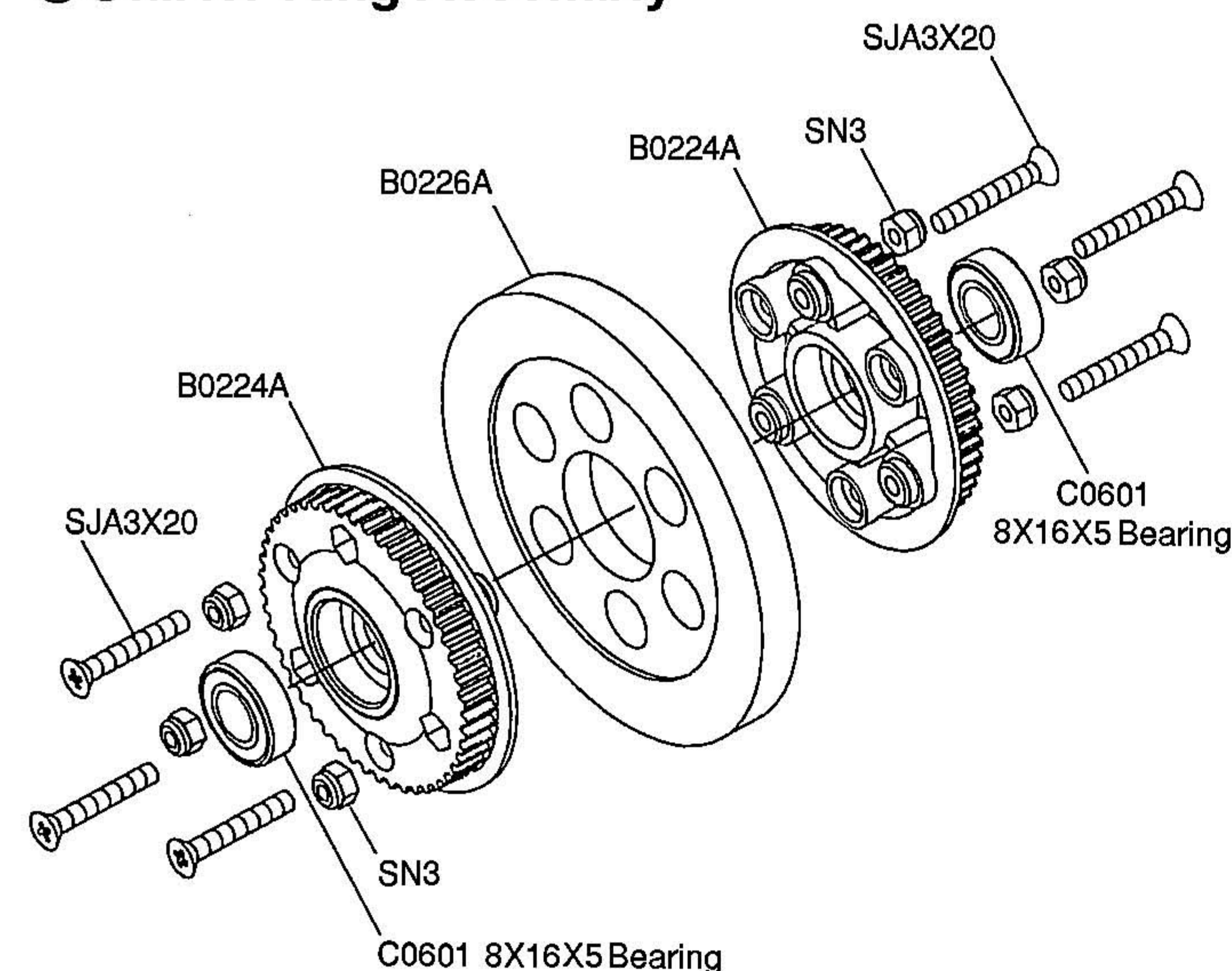
Read carefully and fully understand the instructions before commencing  
assembly.

#### Safety Precaution

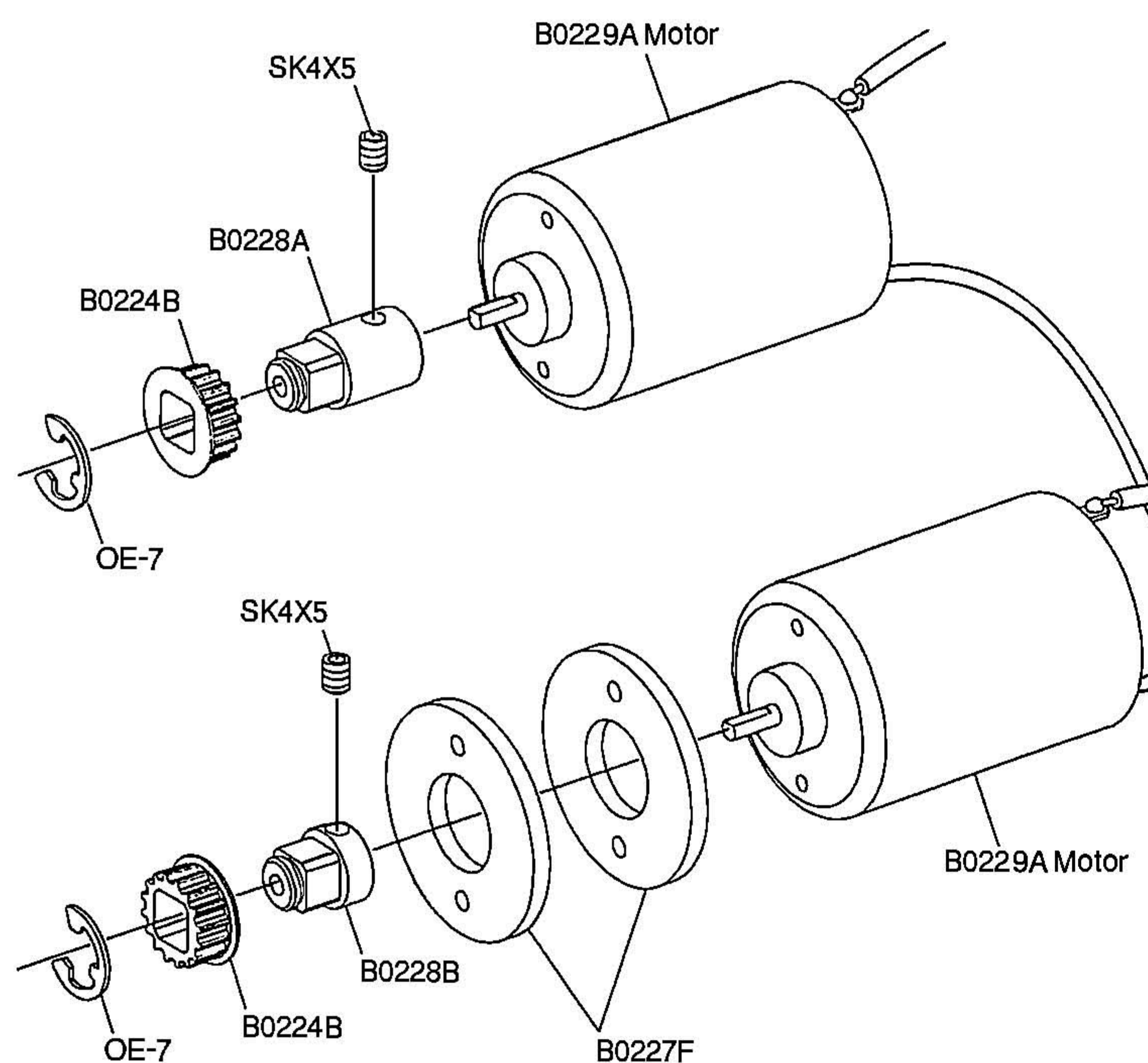
Follow the guidelines below.

1. When assembling the starter box, use the edged tools with care to avoid injury.
2. Check the wiring cord to avoid the excess heat build-up and possibly a fire.  
Bundle the wiring cord with strap.
3. If the assembly of drive unit is incomplete, it could cause a damage to the motor.
4. Do not touch the drive unit while it's rotating.
5. Disconnect the battery when you do not use.

#### ① Starter Ring Assembly

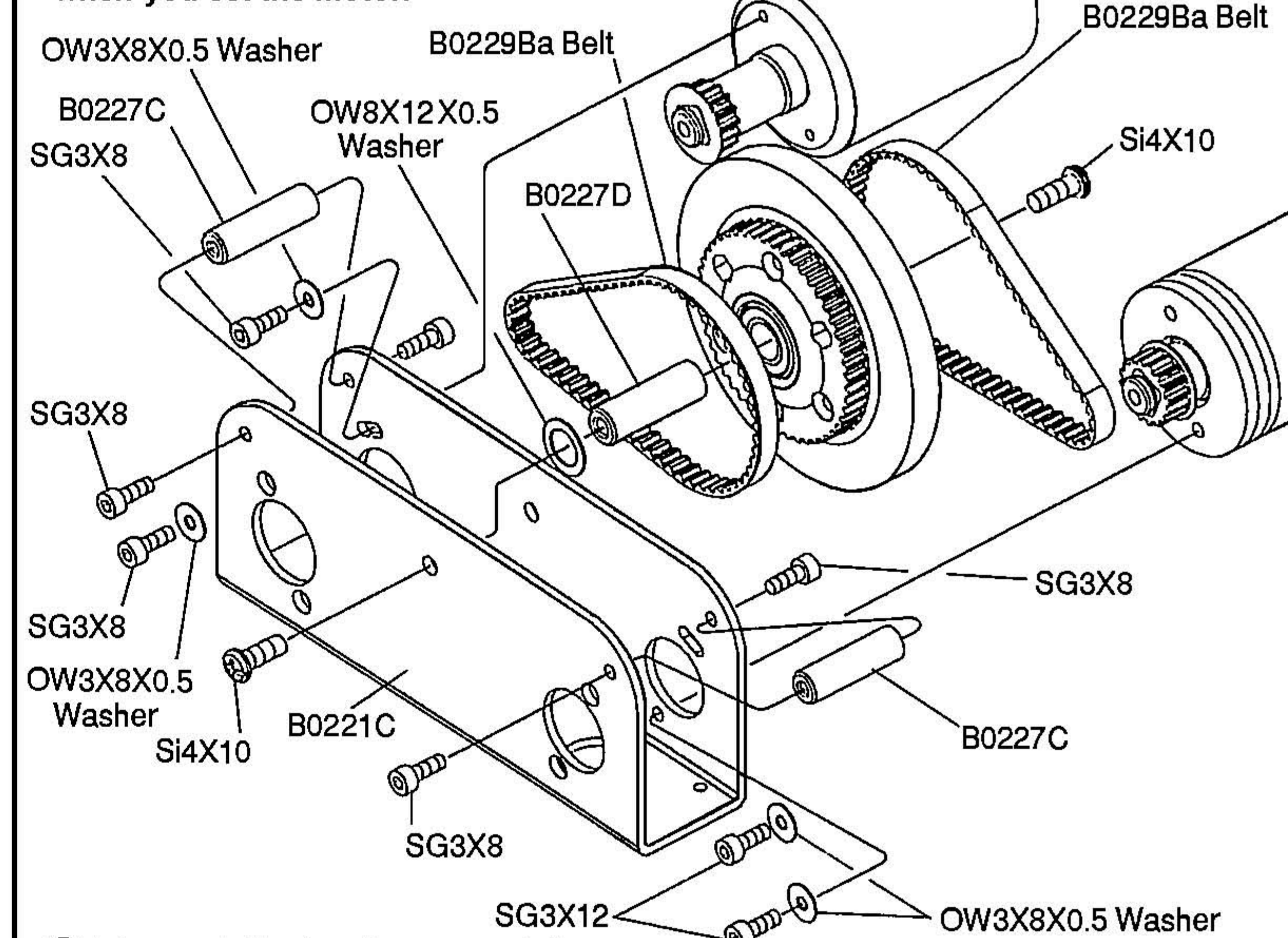


#### ② Motor Pulley Assembly

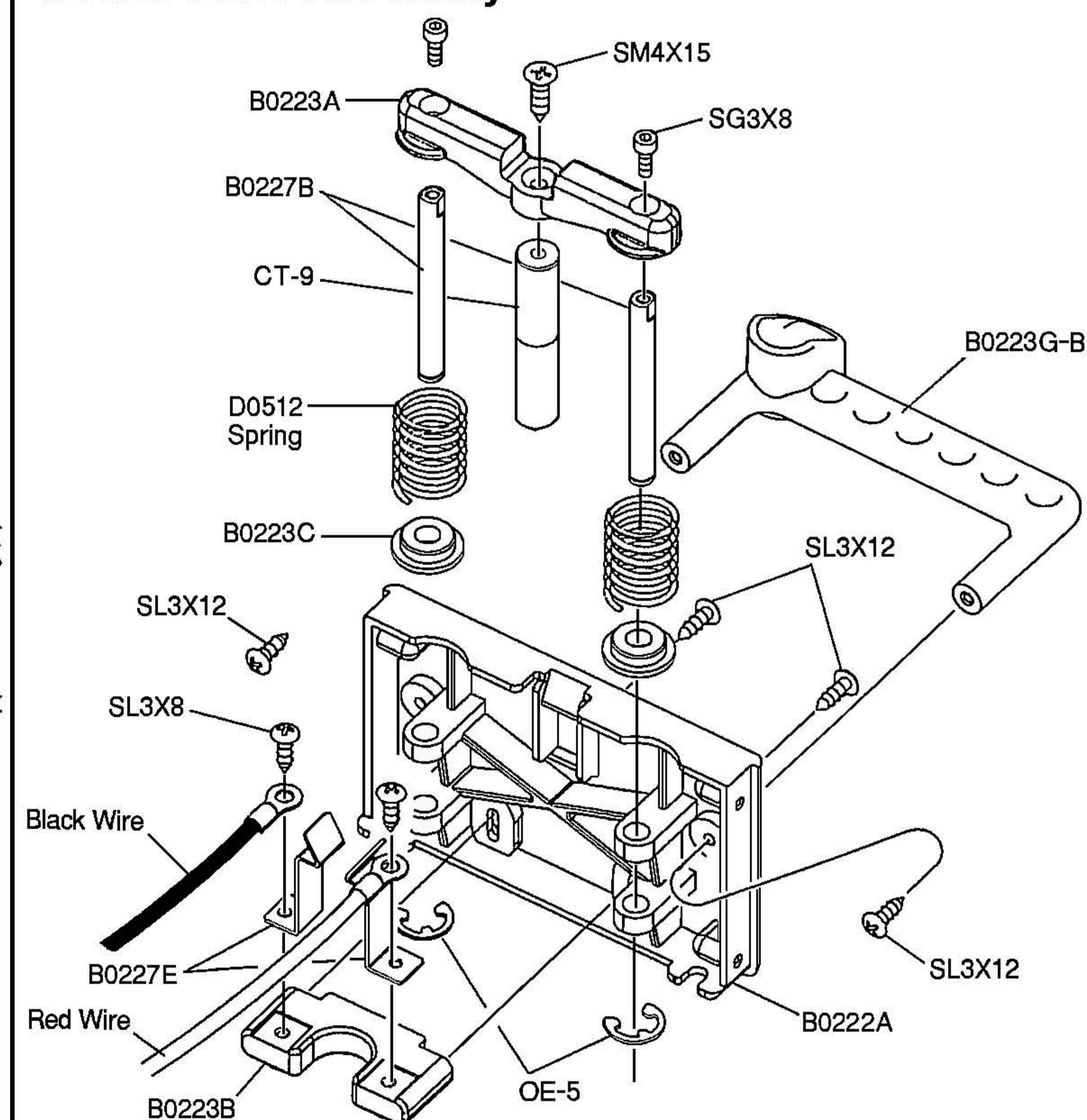


#### ③ Drive Unit Assembly

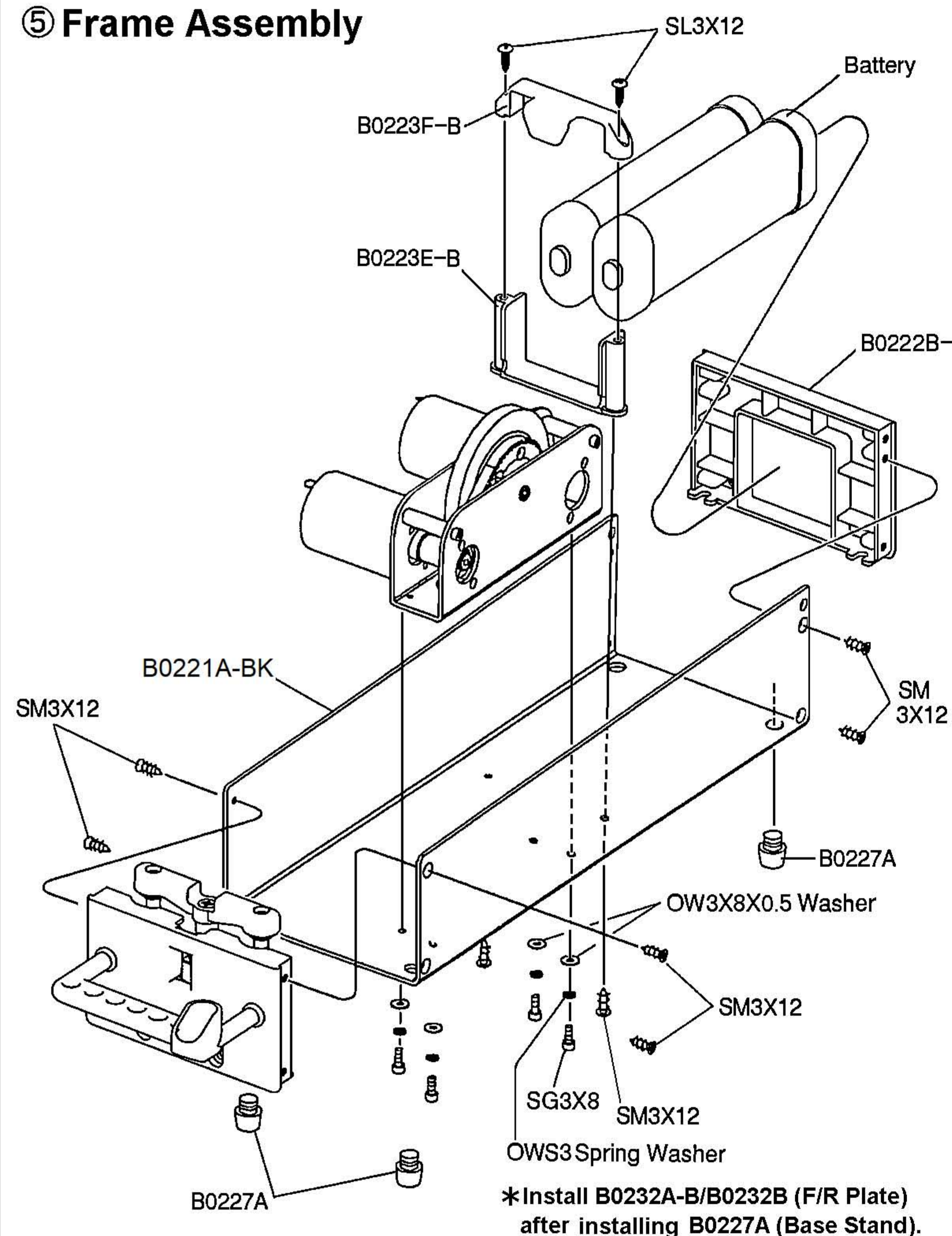
\* Adjust the tension of B0229Ba Belt  
when you set the motor.



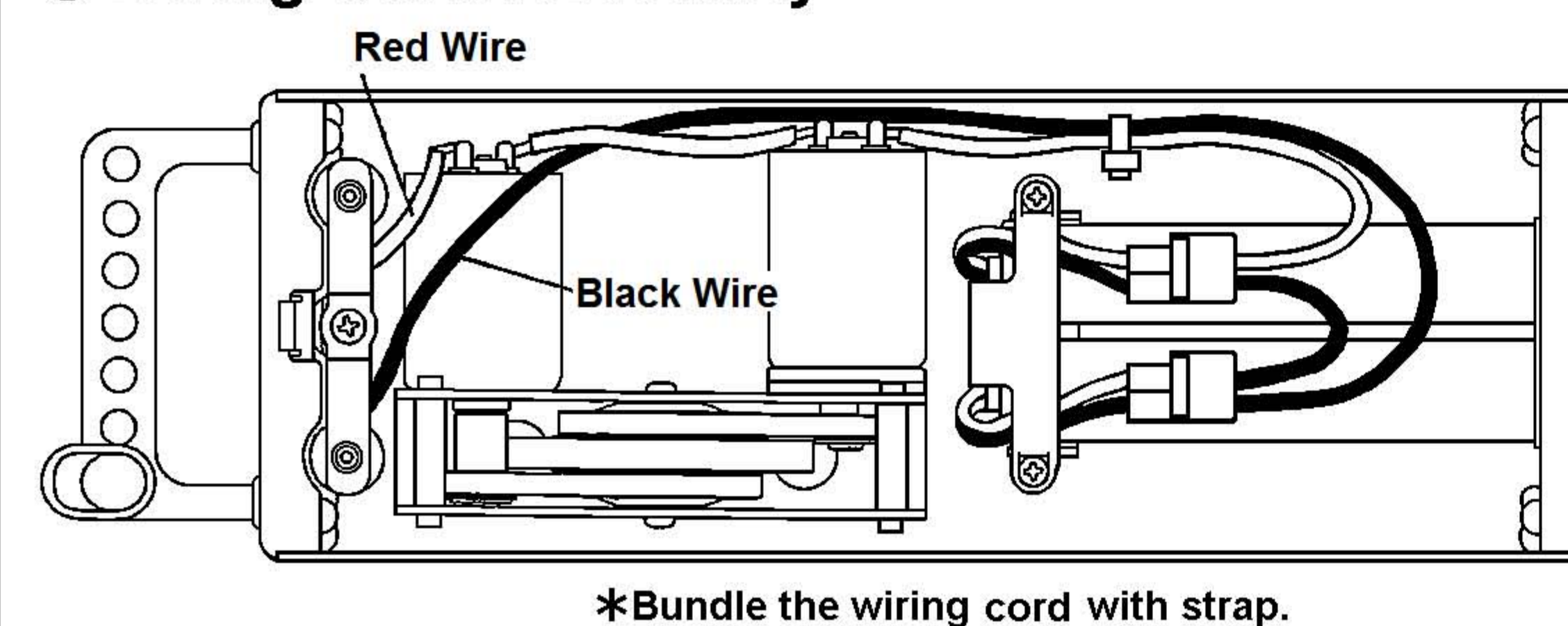
#### ④ Rear Plate Assembly



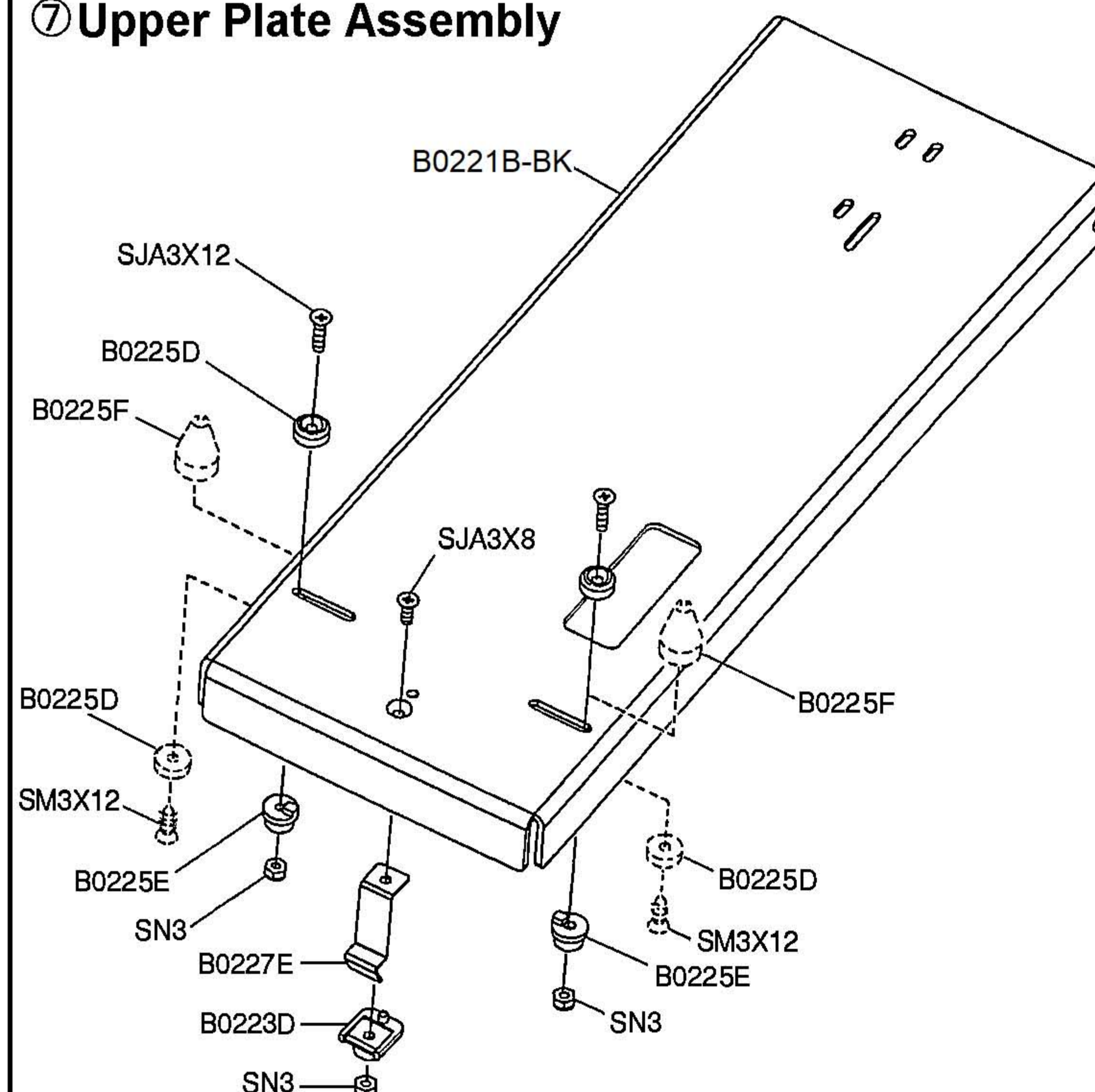
#### ⑤ Frame Assembly



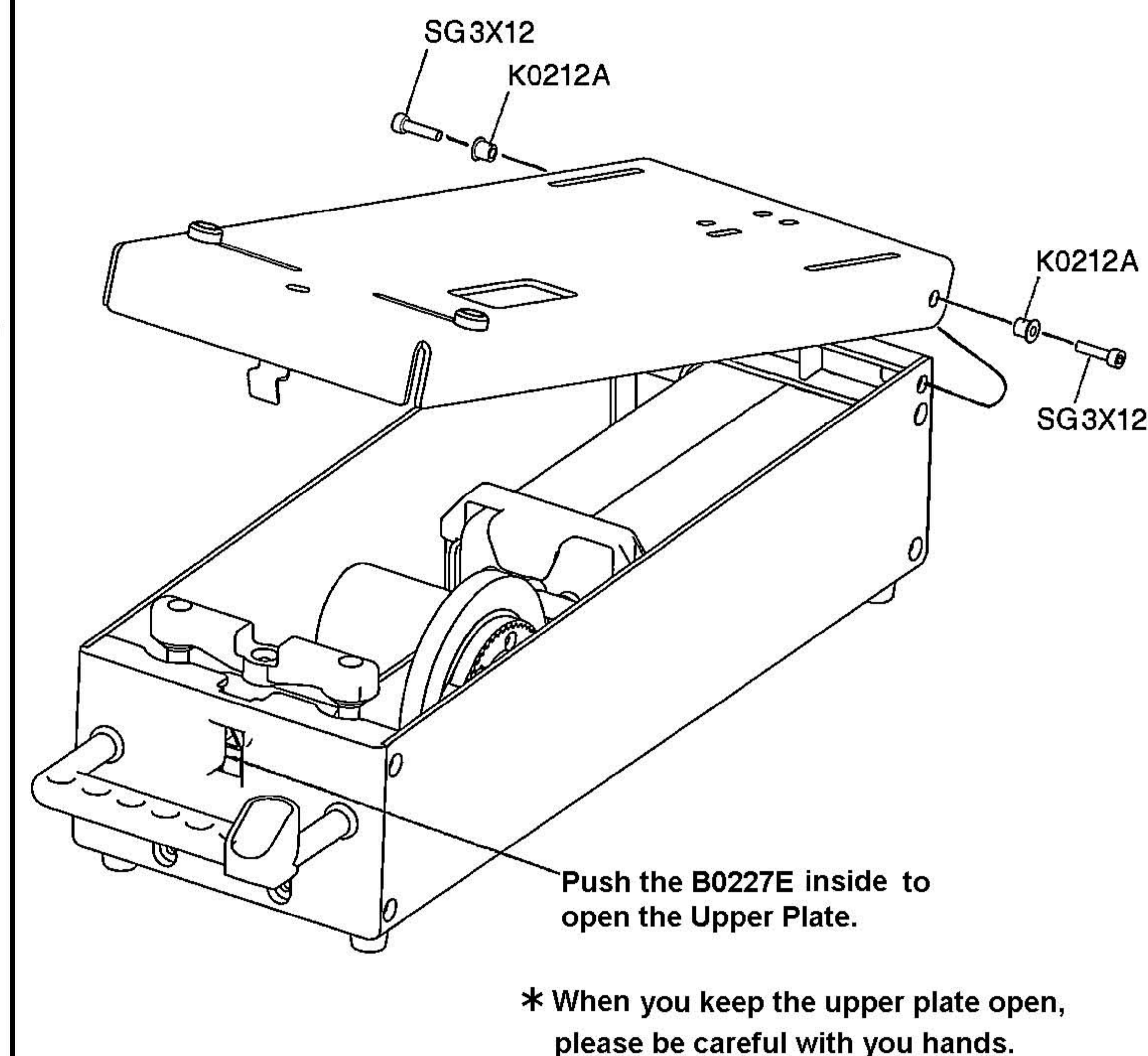
#### ⑥ Wiring Cord Assembly



#### ⑦ Upper Plate Assembly



#### ⑧ Installation of Upper Plate



### B0236BKa PRO STARTER R3 PARTS LIST

P/N	Description	Description
B0221C/1	Motor Mount	B0221C 1pc. B0227C 1pc. B0227D 1pc. B0227F 2pcs.
B0222-B	F/R Plate	B0222A 1pc. B0222B-B 1pc.
B0223-B	Switch Parts	B0223A 1pc. B0223B 1pc. B0223C 2pcs. B0223D 1pc. B0223E-B 1pc. B0223F-B 1pc. B0223G-B 1pc.
B0224a	Pulley	B0224A 2pcs. B0224B 2pcs.
B0225a	Motor Parts	B0225A 1pc. B0225B 1pc. B0225C 1pc. B0225D 2pcs. B0225E 2pcs. B0225F 4pcs. B0225G 1pc.
B0226	Starter Ring	B0226A 1pc.
B0227A	Base Stand	B0227A 4pcs.
B0227B	Switch Shaft	B0227B 2pcs.
B0227E/1	Switch	CT-9 1pc. B0227E 3pcs.
B0228A	Pulley Adapter L	B0228A 1pc.
B0228B	Pulley Adapter S	B0228B 1pc.
B0229A/1	Starter Motor	Motor 1pc.
B0229Ba	Starter Belt	1pc.
B0233	Battery Cord for PRO STARTER (for 12V)	1pc.
C0601	8x16x5 Bearing	2pcs.
K0212	King Pin Color	4pcs.