

DATE		
DRIVER		
TRACK		
TEMP °C	AIR	TRACK

TRACTION		
LOW	MEDIUM	HIGH

LAYOUT		
SLOW	MIXED	FAST

TIRES		
BRAND		

FRONT	SHORE	RIGHT	LEFT
	SIZE Ø	RIGHT	LEFT

REAR	SHORE	RIGHT	LEFT
	SIZE Ø	RIGHT	LEFT

TREAT		
-------	--	--

SHOCK ABSORBERS	
FRONT	REAR

PISTON	PISTON
OIL	OIL
SPRING	SPRING

ANTI ROLL BAR FRONT					
Ø2.0	Ø2.1	Ø2.2	Ø2.3	Ø2.4	Ø2.5

ANTI ROLL BAR REAR					
Ø2.0	Ø2.1	Ø2.2	Ø2.3	Ø2.4	Ø2.5

STEERING POSITIONS		
FRONT	CENTER	REAR
<input type="checkbox"/>	<input type="checkbox"/>	<input type="checkbox"/>
T2303N		T2303J
<input type="checkbox"/>		<input type="checkbox"/>
T2303K		
SHORT		CENTER
<input type="checkbox"/>		<input type="checkbox"/>
LONG		
<input type="checkbox"/>		<input type="checkbox"/>

DIFFERENTIAL	
FRONT DIFF	<input type="checkbox"/>

T2242	ADJUSTABLE ONEWAY	<input type="checkbox"/>	OIL CST.
REAR DIFF	A2230 plastic gear	<input type="checkbox"/>	OIL CST.

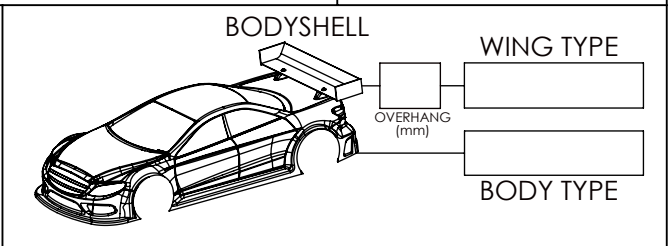
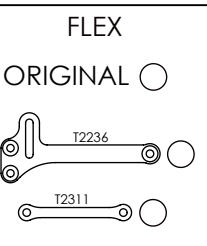
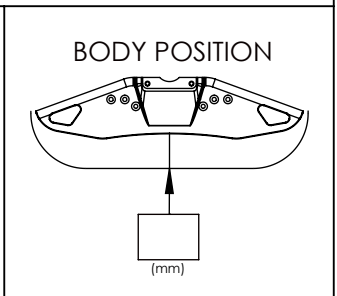
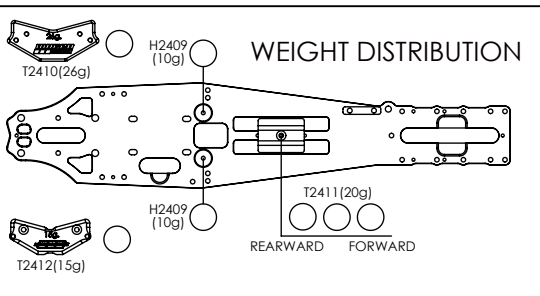
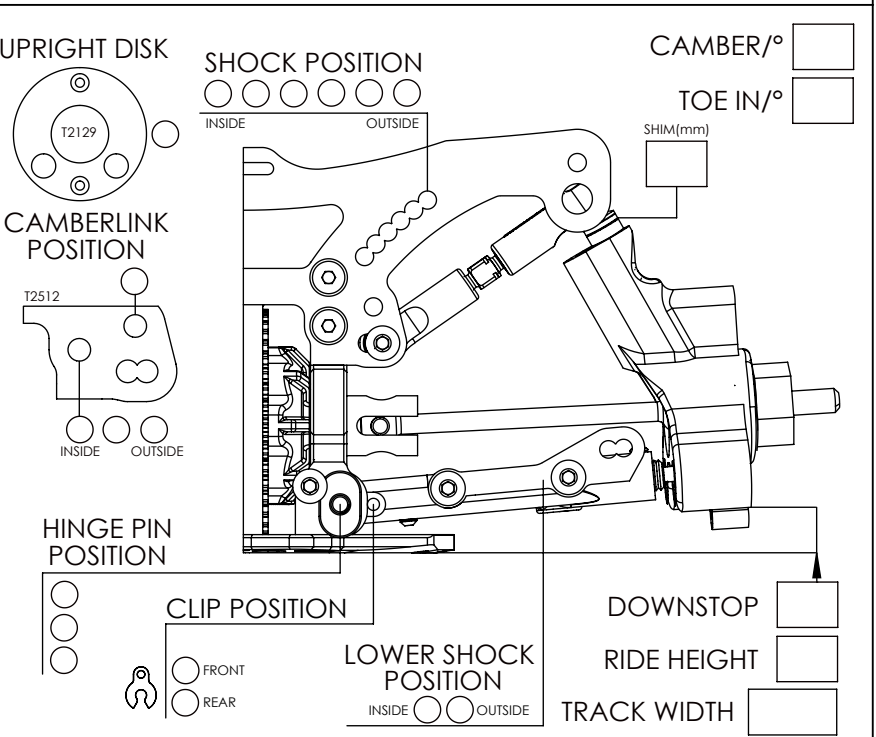
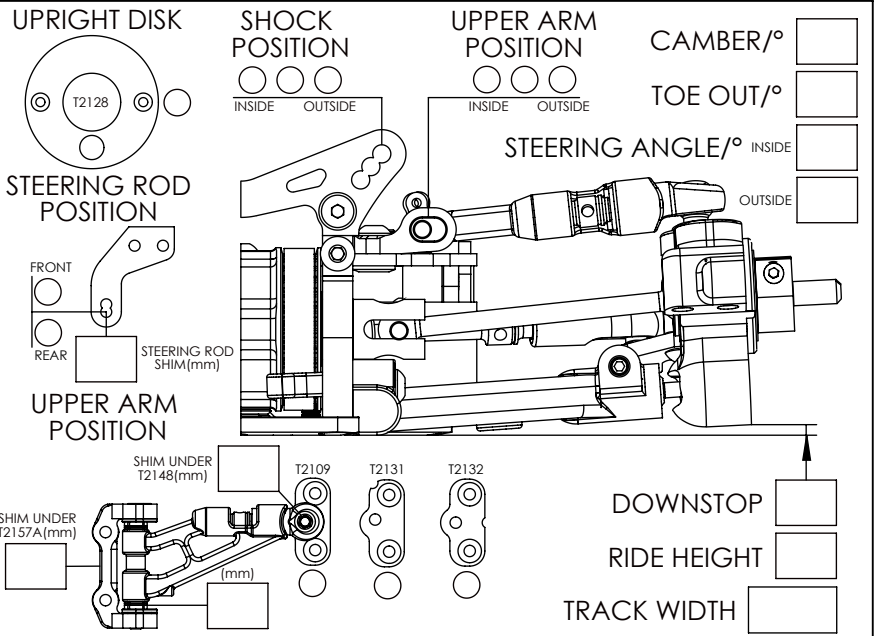
CLUTCH SETTINGS		
BELL	SHOE	SPRING
BELL CLEARANCE (mm)	SPRING TENSION (mm)	AXIAL PLAY (mm)

GEAR RATIO			
1st SPUR	52	53	54
	7,614	7,761	7,907

1st PINION	14	15	16
	7,107	7,243	7,38

2nd SPUR	47	48	49
	5,071	5,179	5,278

2nd PINION	19	20	21
	4,818	4,92	5,023
	4,588	4,686	4,783



NOTES: