

Kit Bag - D1

T2124M 2pcs. H0135C 2pcs. (1mm)
 T2124N 2pcs. H0858 2pcs.
 T2124E 2pcs. T2124K 2pcs.
 T2124F 2pcs.
 T2119L-B 1pc. T2119R-B 1pc.
 T2402C 2pcs.
 T2114 2pcs. T2115 2pcs. T2512 1pc.
 T2116 2pcs. T2117 2pcs. T2127 2pcs.
 T2147 1pc. (2,1mm)
 C0602 2pcs. T2601 2pcs.
 SiG3x6 2pcs. SiG3x10 2pcs. SJG3x6 10pcs. SG2.5x6 6pcs.
 SK3x3 4pcs. SK3x8 2pcs.

Kit Bag - F1

T2231 (53T) 1pc. T2239 (48T) 1pc. T2202G 1pc. T2202H 1pc.
 T2202i 1pc. T2202j 1pc. T2124i 1pc. T2124j 1pc. T2212 2pcs.
 T2213 1pc. T2214 1pc. T2237 1pc. T2211 1pc. T2312 1pc.
 T2208 1pc.
 C0605 2pcs. D0602 2pcs. ϕ 2x11.8 Pin 1pc. ϕ 2x9.8 Pin 1pc.
 ϕ 4x4 Pin 2pcs. OE-5 2pcs. OE-7 1pc.
 SJG3x6 6pcs. SG2.6x12 2pcs. SK3x4 2pcs. SK4x5 1pc.

Kit Bag - E1

T2306C 1pc. T2306D-B 1pc. H0144 4pcs.
 T2122-B 2pcs. T2303H 1pc. T2804L 4pcs. T2210 1pc.
 T2156 1pc. H0145 4pcs. H0294 1pc. A2803 (1mm) 2pcs.
 T2314 1pc. T2315 1pc. H2228 1pc. H2804 1pc. A2804 (2mm) 4pcs.
 T2313L 1pc. T2313R 1pc. T2309A 2pcs. H2307 2pcs. A2807 2pcs.
 T2159 4pcs. T2803 4pcs. C0602 4pcs. T2601 4pcs. ϕ 2x9.8 Pin 5pcs.
 OW3x8x0.5 1pc. SJG2x6 1pc. SG2.5x6 2pcs. SK3x8 2pcs.
 SiG3x6 2pcs. SJG3x6 2pcs. SG2x6 2pcs. SK3x16 2pcs.
 SiG3x8 2pcs. SJG3x8 5pcs.
 SiG3x16 1pc. SJG3x10 2pcs.

Kit Bag - G1

T2308A 1pc. H2311B 1pc.
 H0362D 4pcs. H0362B 2pcs. H0362C 2pcs.
 T2308B-B 1pc. T2308C 1pc. T2308E 1pc.
 T2308F 1pc. T2303M 1pc. T2303K 1pc.
 H2311D 1pc. T2303L 1pc.
 B0430F 1pc. B0430H 1pc. T2804S 2pcs. T2804L 2pcs. E0322 1pc.
 B0430J 1pc. B0430K 1pc. A2807 2pcs. E2808 1pc.
 B0430S 1pc. A2803 2pcs. T2157B 4pcs. A2309 1pc. T2803 4pcs.
 T2306B 1pc. A2804 1pc. H2802 3pcs. H2804 1pc.
 B0432 1pc. SiG3x4 6pcs. SiG3x12 10pcs. H2804 1pc.
 T2414 1pc. SiG3x6 10pcs. SiG3x14 1pc. B0406 1pc.
 SiG3x10 10pcs. SK3x5 1pc.
 20g. SJG2x6 2pcs. SJG2x16 4pcs. SJG3x6 7pcs. SK3x8 1pc.
 T2411 1pc. SJG2x10 4pcs. SJG2.5x6 1pc. SJG3x8 5pcs. SK3x12 1pc.

Kit Bag - H1

H2511 4pcs. OW2.6x6 4pcs. H0555A 4pcs.
 H0563 4pcs. D0509A 8pcs. H0555B 4pcs.
 H0554 4pcs. P3 (Si) O-Ring 8pcs. H0555C 2pcs.
 D0506 4pcs. S12 O-Ring 4pcs. H0555D 2pcs.
 D0513 4pcs. D0510F 2pcs. H0555E 2pcs.
 D0508 4pcs. D0510R 2pcs. T2805 6pcs.
 SN2.6 4pcs. H2513 2pcs. H2505 2pcs.

Kit Bag - i1

T2801 1pc. T2511 1pc.
 H0181C-G (2mm) 4pcs. P3 O-Ring 3pcs. H2115 2pcs.
 B0422 3pcs.
 SiG3x6 6pcs. SiG3x8 2pcs. SiG3x10 2pcs. SJG3x8 2pcs.

Kit Bag - J1

T2702 1pc. T2704 1pc. T2705 1pc.
 T2703 3pcs. T2722 1pc. T2707 1pc.
 T2718 (20T) 1pc. T2709 (15T) 1pc. H2704 1pc.
 H0704 1pc. H0753 1pc. ϕ 5.2x ϕ 10x0.1 10pcs.
 ϕ 5.2x ϕ 8x0.1 10pcs. T2713 1pc. C0602 6pcs.
 SiG3x16 1pc. SG3x10 4pcs.

Kit Bag - K1

T2303G 1pc. T2804S 2pcs. C0802B 1pc. D0802A 1pc. C0802G 2pcs.
 T2303L 1pc. T2303M 1pc. B0430F 1pc. B0430S 1pc. B0430K 1pc.
 T2303K 1pc. B0430J 1pc. B0430H 1pc.
 H2805B 1pc. H2805A 1pc.
 H2902A 1pc. B0422 8pcs. C0802i 1pc.
 T2803 2pcs. C0901A 1pc. B0407 1pc. E0828B 3pcs. A2410 4pcs.
 C0602 2pcs. P2-O-ring 5pcs. B0413 Fuel pipe 1pc.
 SiG3x6 1pc. SiG3x12 1pc. SJG3x6 1pc. SJG4x8 1pc. SK3x8 1pc.
 SiG3x10 1pc. SFG3x8 4pcs. SJG3x8 1pc. SK3x3 3pcs. SK4x5 1pc.

Kit Bag L1

T2413 1pc.

Kit Bag M1

Hexagon Wrench (1,5mm) 1pc. Hexagon Wrench (3mm) 1pc.
 Hexagon Wrench (2mm) 1pc. Hexagon Wrench (5mm) 1pc.
 Hexagon Wrench (2,5mm) 1pc.
 Nylon Strap 4pcs. P0402 1pc.

- T1007 MTX7 instruction manual 1pc.
- Set-up sheet 1pc.
- Parts list 1pc.
- T1007 MTX7 取扱説明書 1pc.
- セットアップシート 1pc.
- パーツリスト 1pc.

CAUTION ※In order to avoid accidents and personal injury, be sure to observe the following:

HANDLING OF THE ENGINE RC CAR:

Engine RC car runs at a very fast, and uses expensive flammable glow fuel for the model. Exhaust sound becomes noise sometimes to the other people. Operate the model in the area with safety, no troublesome, no personal injury, no property damage, and no accident.

■After assembling

1. Be sure to tight screws securely and install all parts.
2. Make sure whether the movable parts work smoothly.
3. Turn on the switch of the receiver and transmitters, and make sure whether the steering servo and engine control servo work normally.

■Do not operate it:

1. In the place where many people around
2. near children
3. near the residential districts, school, and hospital
4. near the road and railroad track
5. indoors
6. at early morning and at night
7. at the same time when somebody uses the same frequency
8. when the battery of receiver and transmitter weak
9. when the model behave strangely

■Start to operate

Be sure to observe the following process. Non-observance will make RC car start suddenly, and may lead the damage and unexpected accident.

1. Make sure the battery charges fully.
2. Put the RC car on the starter box and float the tires from the ground.
3. Turn on the switch of the receiver.
4. Turn on the switch of the transmitter.
5. Make sure the steering servo and engine control servo work normally and adjust them correctly.
6. Put the fuel in the tank, and close the cap securely.
7. Heat the plug.
8. Push the back of RC car on the starter box and start the engine. (If the engine is new, follow the instruction manual and be sure to smooth new engine. If not, engine will break suddenly by the high rotation.)

■Finish to operate

1. Stop the engine. (Use up the fuel in the tank or force to stop the flywheel that is seen from the bottom of the chassis by the sole of shoe, etc.)
2. Turn off the switch of the receiver.
3. Turn off the switch of the transmitter.

■Maintenance after running

Do care after running to keep performance, and to notice the damage and the wear.

1. Do not leave the fuel in the tank.
2. Exhaust oil insides the muffler should go outside.
3. Clean up the sand and mud.
4. Put the oil on the movable parts such as shaft carrier, suspension, etc and the bearing.
5. Put the rustproof oil (maintenance oil) inside of the engine.

CAUTION: FUEL

The glow fuel for radio control models that is used for the engine RC car is made of the combination of the methyl alcohol, the oil or composition oil, nitro methane etc. The flammability of these elements is to be very high, have volatility, be fully careful of handling and the storage.

- Only use the glow fuel for radio control models the model shop sells. Other fuel, such as the gasoline and kerosene may break engine, and there is fear of explosion and accident such as a fire. Never use it.
- The flammability of the fuel is very high. Don't do the fuel lubrication and the preparation for operating near the fire.
- Never do handling of the lubrication in the inside and mixing of the fuel in the place where ventilation is bad.
- Fuel is harmful. It is dangerous to drink and to inhale the volatile element of the fuel and exhaust. Never do.
- Avoid fire, direct sunlight, high temperature, near battery and store the fuel in the cool, dry and dark places out of children's reach.
- Don't leave the fuel in the fuel pump and the fuel tank. There is danger that fuel leaks out.
- Wipe out the spilt fuel with the useless cloth completely.
- Remove a cap first and throw the empty fuel can away. Don't throw an empty can into the fire. There is danger of explosion.

CAUTION: ENGINE

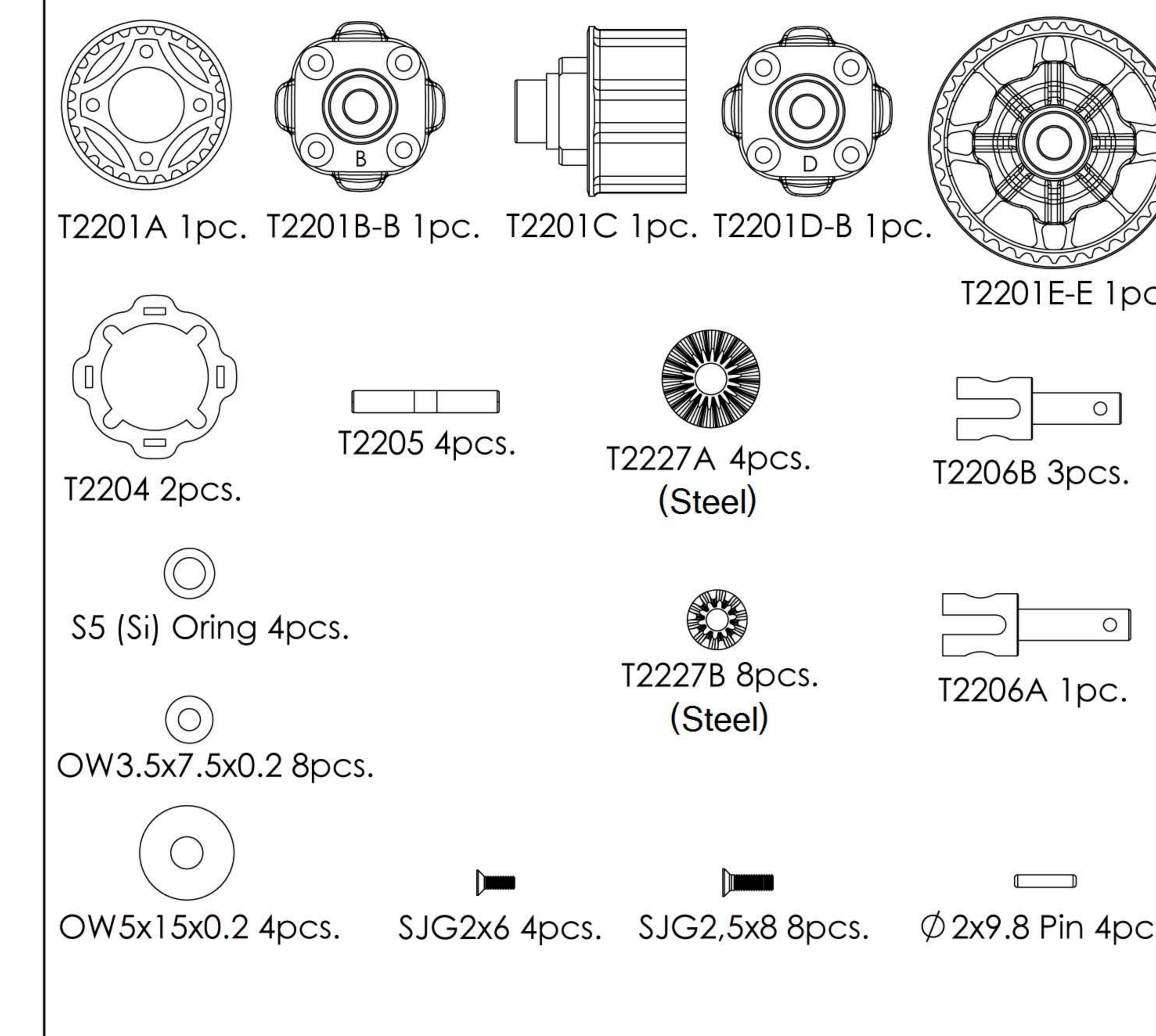
Confirm the position of needle and idling before running. Be sure to smooth new engine.

- Never remodel engine and muffler.
- There is danger that it gets burned because around the engine and the muffler generate high temperature for a while after use.
- Do not touch the rotating parts at high speed such as clutch bell and flywheel. There is danger that it gets hurt.
- If the fuel pipe is choked or deteriorates, the engine may not start and there is danger the fuel leaks out.
- Be sure to put the air filter. Use the filter that is soaked air filter oil.
- Engine may not start if the air filter is dirty, choked with the sand and dust.

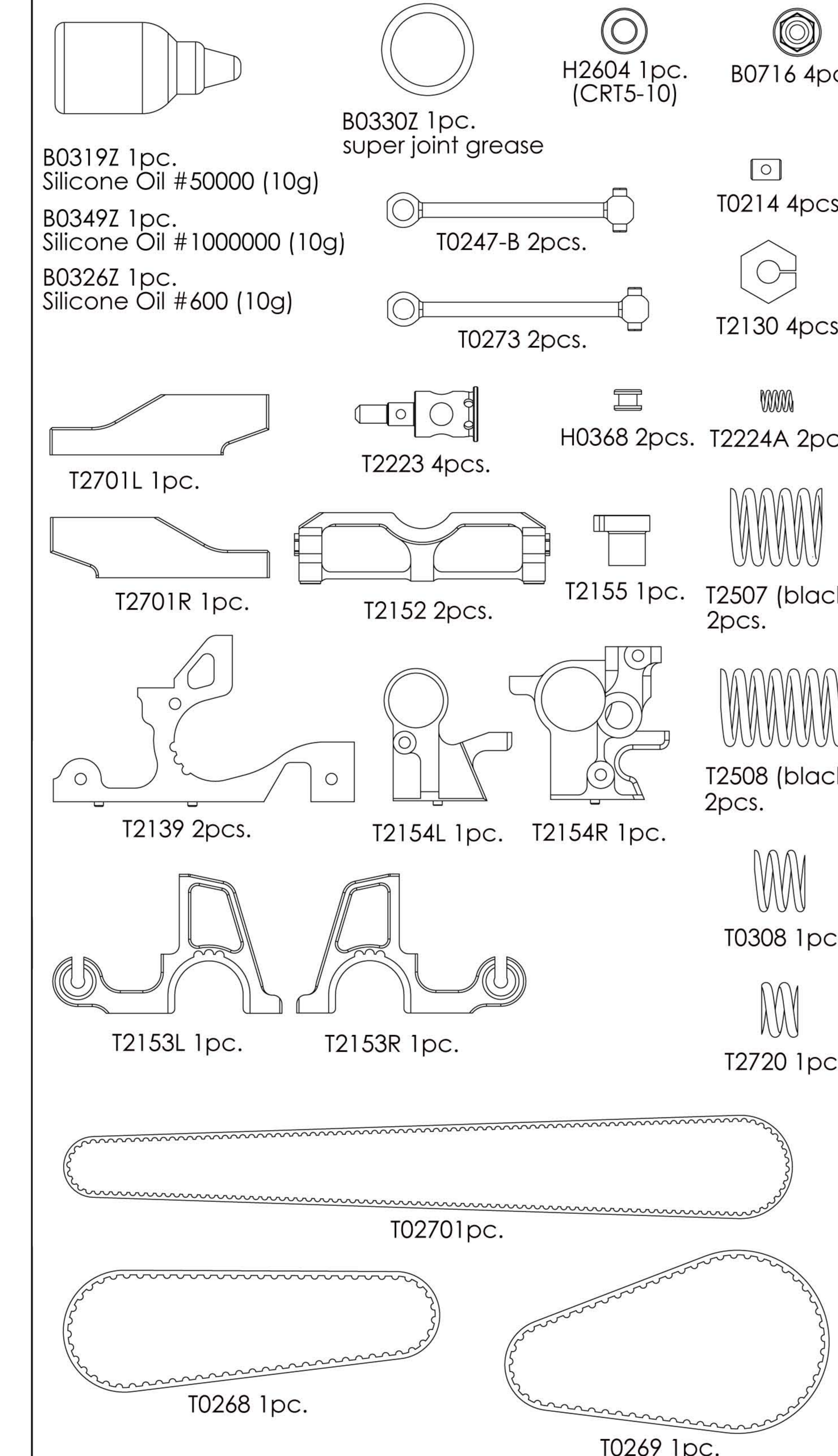
FIRST AID

- If you drink fuel by accident, drink large quantities of water and emit it and right after that, see a doctor.
- If fuel is within eyes, wash it away with the water well, and right after that, see a doctor.
- If fuel is stuck to the skin, wash it with soap and water

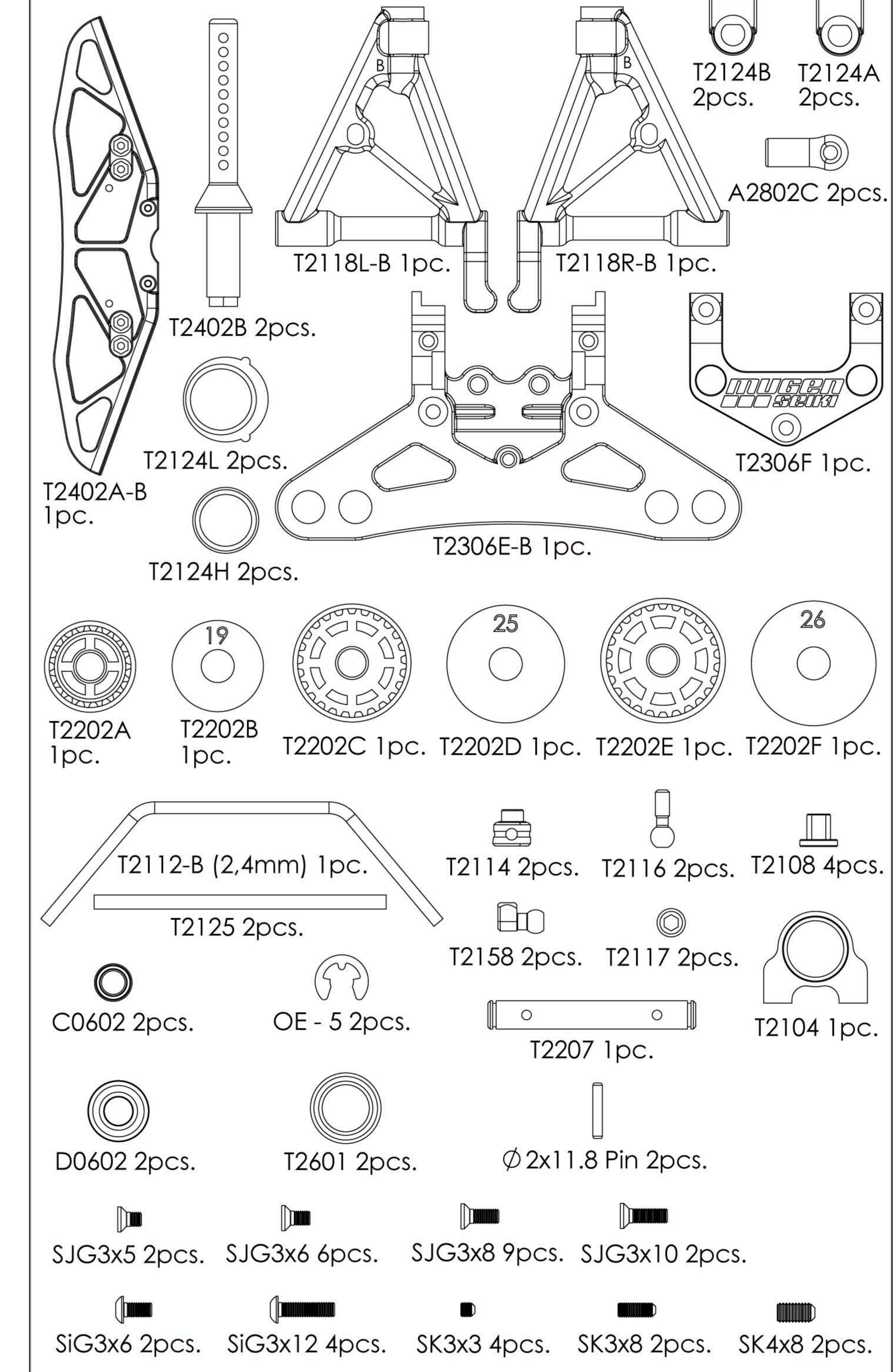
Kit Bag - A1



Kit Bag - A2



Kit Bag - B1



Kit Bag - C1

