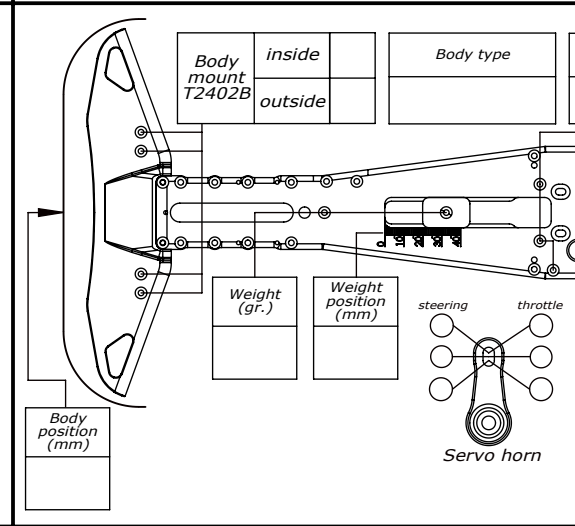
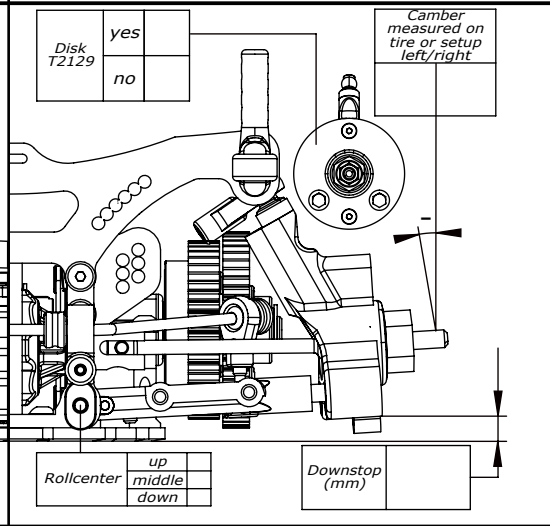
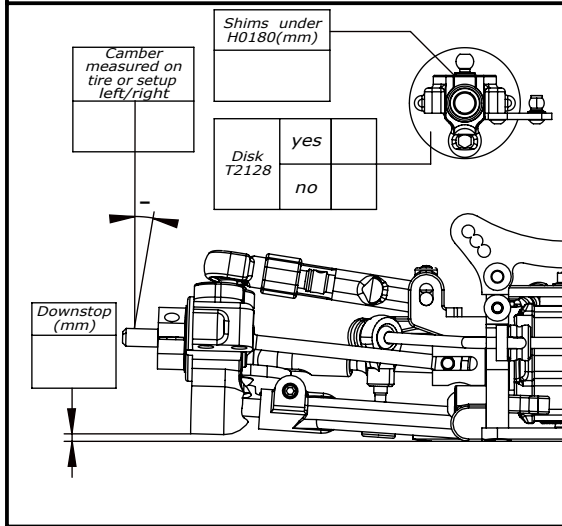
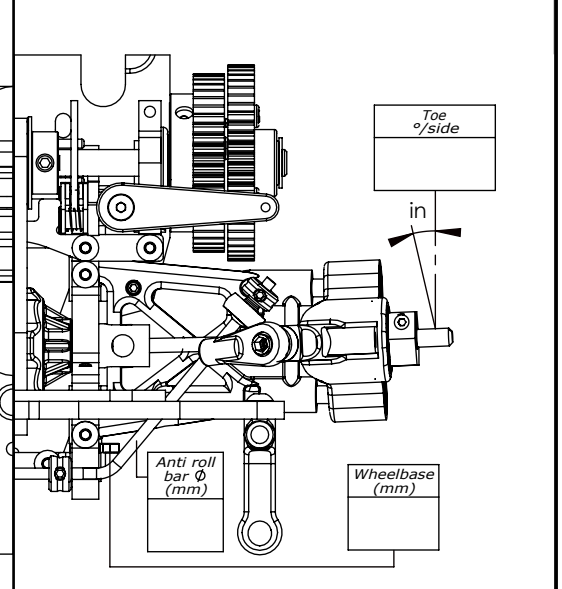
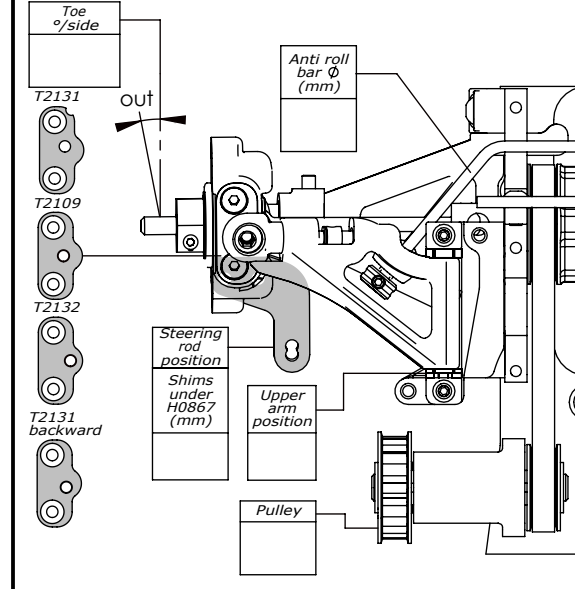
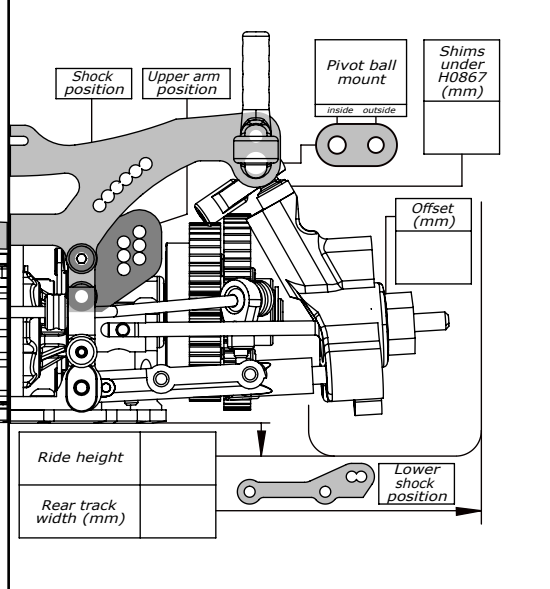
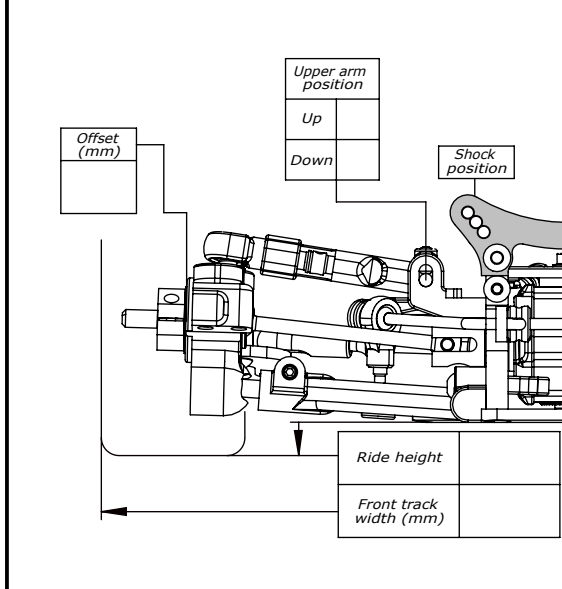




		Tires		Clutch settings		Front shocks		Engine						
Date/Track		Front shore	left / right	Shoe/Bell	/	Piston		Type						
Driver		Rear shore	left / right	Bell clearance (mm)		Oil		Plug/Fuel	Plug / Fuel					
Temp. °C.	air / track	Front ϕ	left / right	Spring/adj. Nut(mm)	/	Spring		Pipe/Manifold	Pipe / Manifold					
		Rear ϕ	left / right	Bell axial play (mm)										
		Differential		Gearing		Piston		Gear ratio chart						
Track layout/traction	technical <input type="radio"/> low <input type="radio"/>	Front diff. oil cst.		1st gear	/	Oil	Spur Pinion	1st		2nd				
	mixed <input type="radio"/> medium <input type="radio"/>							52	53	54	47	48	49	
	fast <input type="radio"/> high <input type="radio"/>							7,614	7,761	7,907				
		Rear diff. oil cst.		2n gear	/	Spring	1st	19	20	21	5,071	5,179	5,278	
								15	7,107	7,243	7,38	4,818	4,92	5,023
												4,588	4,686	4,783



Note: