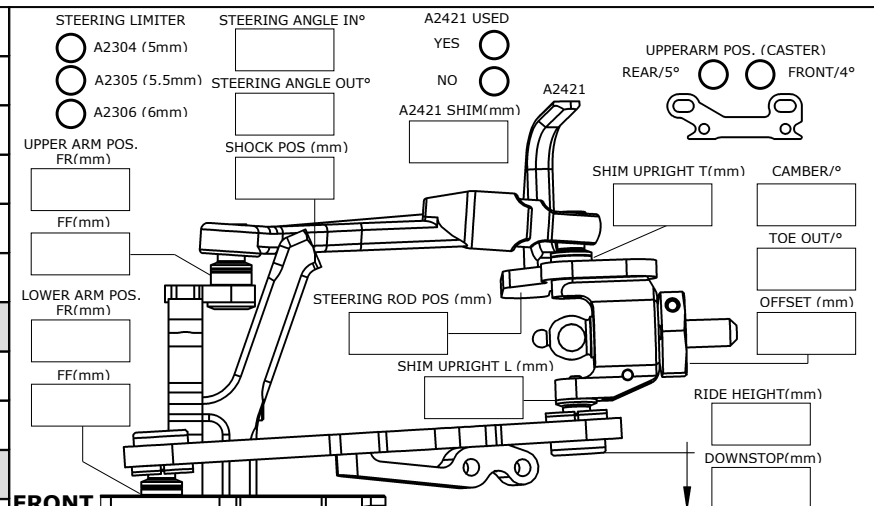
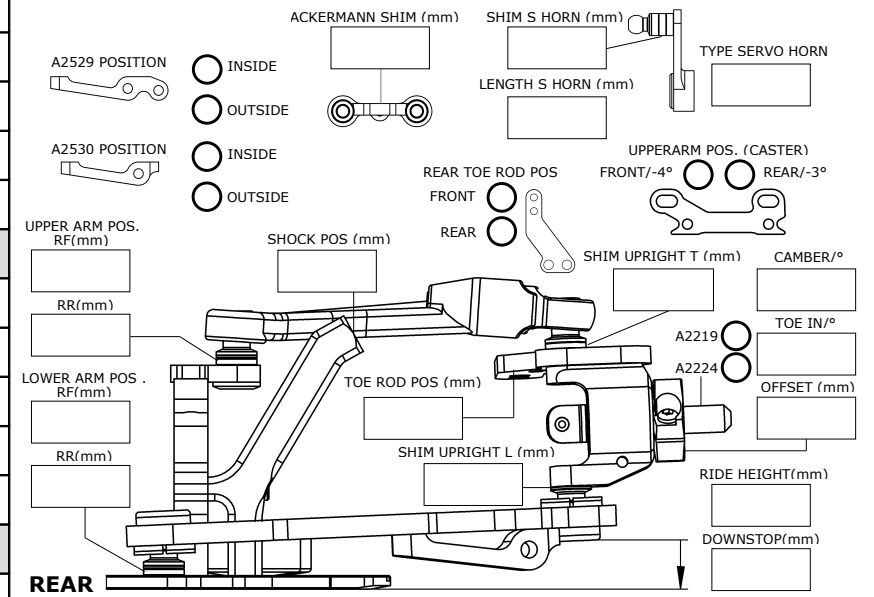
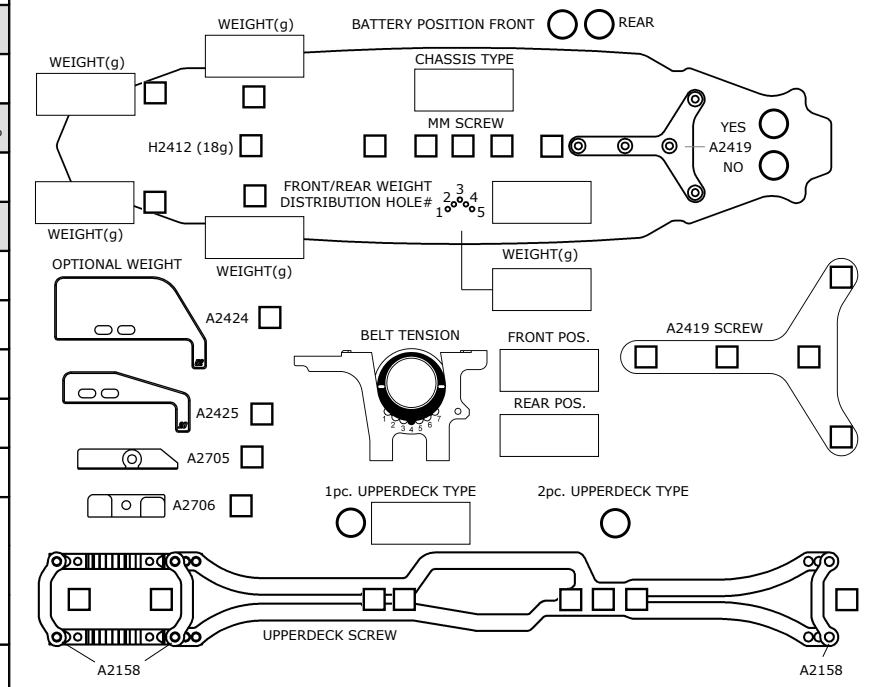


<b>DRIVER</b>		
<b>DATE</b>		
<b>TRACK</b>	Carpet <input type="radio"/> Asphalt <input type="radio"/>	
<b>TRACTION</b>	<input type="radio"/> LOW <input type="radio"/> MEDIUM <input type="radio"/> HIGH	
<b>LAYOUT</b>	<input type="radio"/> SLOW <input type="radio"/> MIXED <input type="radio"/> FAST	
<b>TEMP °C</b>	<b>AIR</b>	<b>TRACK</b>
<b>ELECTRONICS</b>		
ESC	ESC SET	MOTOR
SERVO	RECEIVER	BATTERY
<b>TIRES</b>		
<b>BRAND</b>		
<b>TYPE</b>		
<b>ADDITIVE</b>		
<b>WARMER °C</b>	FRONT	REAR
<b>TIME(min)</b>	FRONT	REAR
<b>SHOCK ABSORBERS</b>		
<b>PISTON</b>	FRONT	REAR
<b>SHOCK CASE</b>		
<b>OIL</b>		
<b>SPRING</b>		
<b>LENGTH</b>		
<b>ANTI ROLL BAR DIAMETER FRONT/REAR</b>		
<b>FRONT</b>		<b>REAR</b>
<b>REAR DIFFERENTIAL</b>		
<b>DIFF OIL CST (1,6g oil qty.)</b>		
<b>GEAR RATIO</b> (T)Spur/(T)Pinion*1,9=Ratio		
<b>PINION</b>		<b>SPUR</b>
<b>AERODYNAMIC SETTINGS</b>		
<b>BODY TYPE</b>		
<b>WING TYPE</b>		
<b>WING POS</b>	(mm)	
<b>BODY POSITION</b> (see picture below)	(mm) $\leftrightarrow$ horizontal	
<b>FRONT BODY HEIGHT &amp; POSITION</b>	<b>REAR BODY POST A2407C</b> <input type="radio"/>	<b>REAR BODY POST A2416B</b> <input type="radio"/>
(mm) vertical $\updownarrow$	(mm)	(mm)


**FRONT**

**REAR**


REMARKS