

DRIVER		
DATE		
TRACK		

TRACTION

LOW <input type="checkbox"/>	MEDIUM <input type="checkbox"/>	HIGH <input type="checkbox"/>
------------------------------	---------------------------------	-------------------------------

LAYOUT

SLOW <input type="checkbox"/>	MIXED <input type="checkbox"/>	FAST <input type="checkbox"/>
-------------------------------	--------------------------------	-------------------------------

ENGINE

TYPE		
GLOW PLUG/FUEL PIPE/MANIFOLD		

CLUTCH SETTINGS

SHOE#/BELL#		
CLEARANCE(mm) / AXIALPLAY(mm)		
SPRING#/TENSION(mm)		

TYRES

CONTROLLED

FRONT BRAND REAR

LEFT	RIGHT		LEFT	RIGHT
		SHORE		
		DIAMETER		
		START		
		DIAMETER		
		5min		

SHOCK ABSORBERS

FRONT REAR

PISTON		PISTON	
OIL		OIL	
SPRING		SPRING	

ANTI ROLL BAR FRONT

2,2 2,3 2,4 2,5

ANTI ROLL BAR REAR

2,8 2,9 3,0

SERVO SAVER POSITION

FORWARD	REARWARD
<input type="checkbox"/>	<input type="checkbox"/>

PINION 1st

15T 16T

PINION 2nd

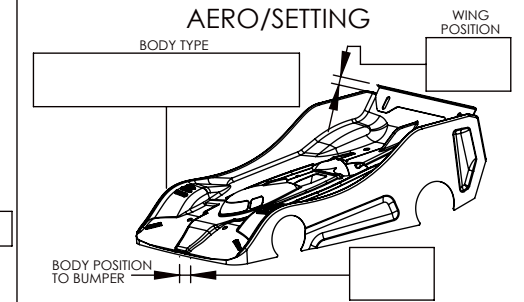
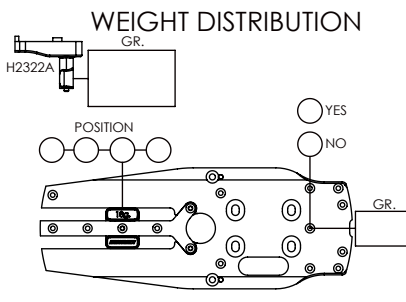
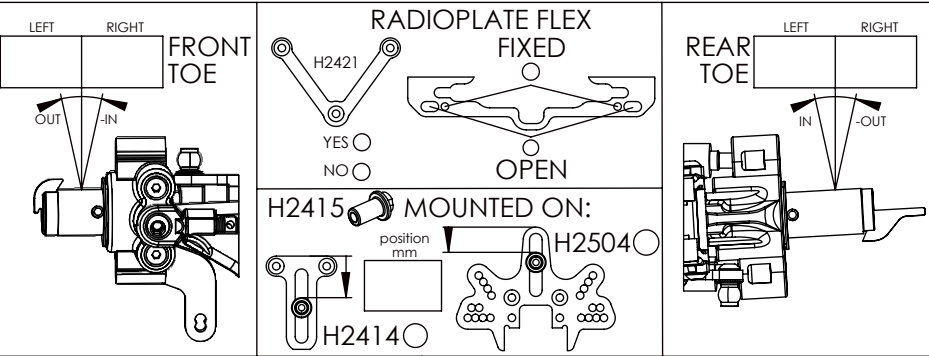
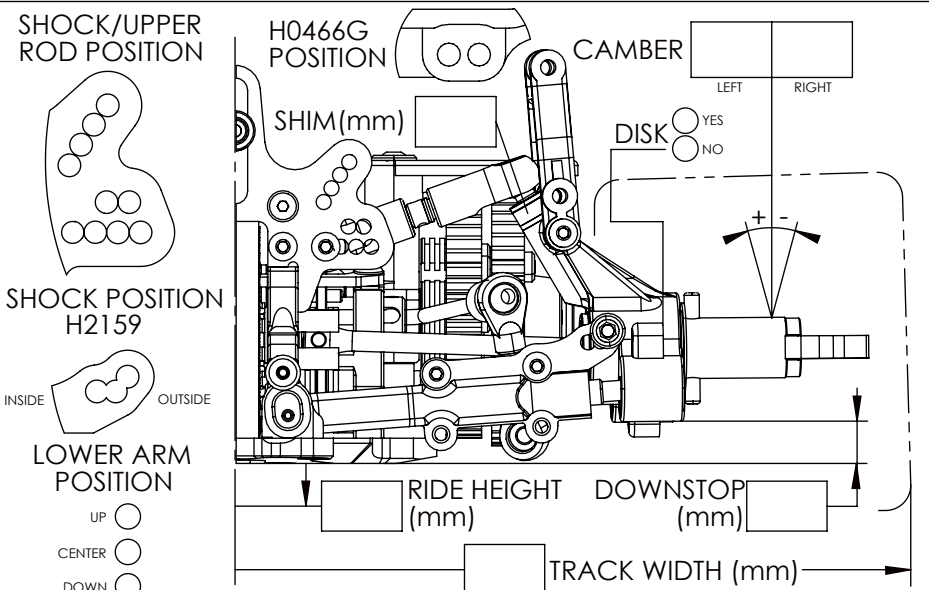
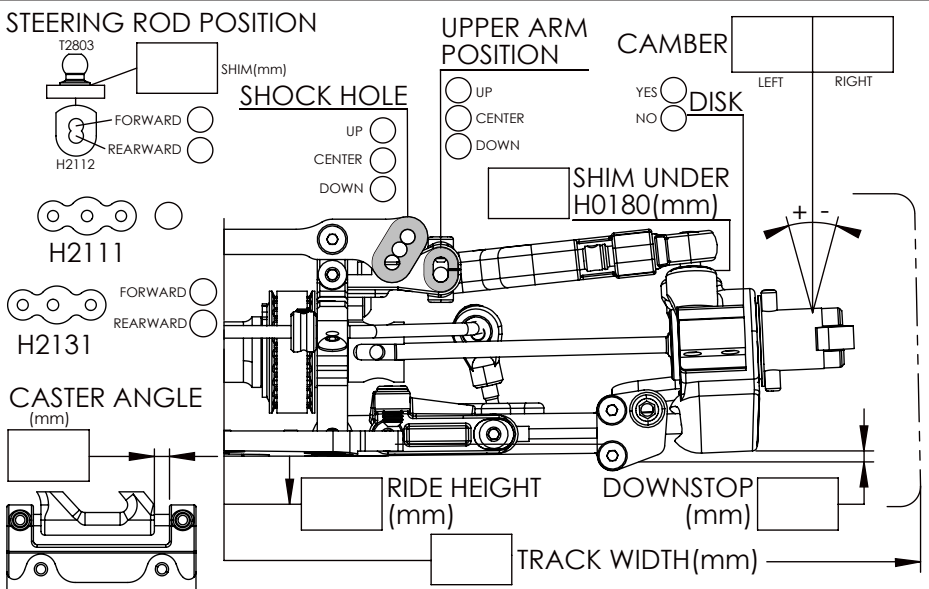
19T 20T

SPUR 1st

48T 49T 50T

SPUR 2nd

45T 46T 47T



NOTES: