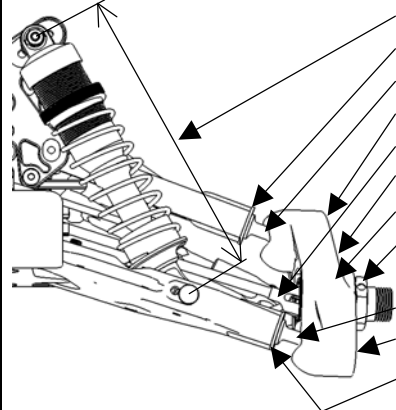


Name: E2025
 Date: _____
 Track: _____

Track conditions
 Size: Open Med. Tight
 Traction: High Med. Low
 Surface: Smooth Med. Bumpy

Result
 Race time / Lap: _____
 Best lap (1Lap): _____

Front suspension

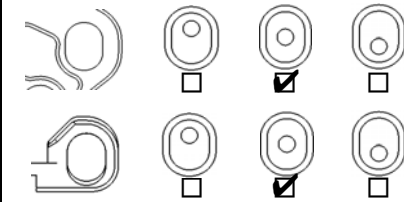


Rebound stop: 104mm
 Kingpin ball spacer: 1mm
E0160 E2123(Steel)
E0159 E2124(Steel)
E2218 E0220(CVD)
E2153 E2168(-3)
E2146 E2147(1.5)
E0239 E0240(1mm)
E0241(2mm)
E0160 E2123(Steel)
E0159 E2124(Steel)
 Kingpin ball spacer: 1mm

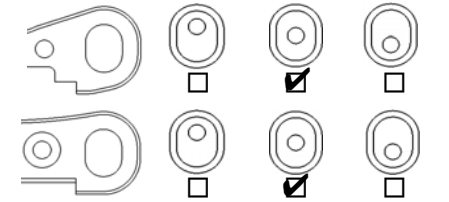
Ride height: 24mm
 Toe angle: out
 Lower arm plate:
E2144A,B
E2154(CFRP 1mm)
E2155(CFRP 1.2mm)
 Anti roll bar: φ 2.3 (E0164)
 Upper arm spacer: 2mm

Lower arm spacer: 0

Upper arm position:



Lower arm position (Kick up):

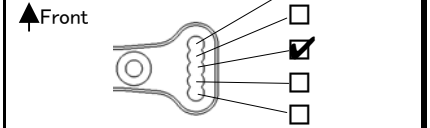


Front shocks

Piston: E2525 Oil: #550
 Spring: φ 1.6L70-9.25 (E2516)
 Shock position:

 Pivot ball position: Front Rear
 Damper stay: E2562(Aluminum)
E2565(CFRP)

Steering ackerman



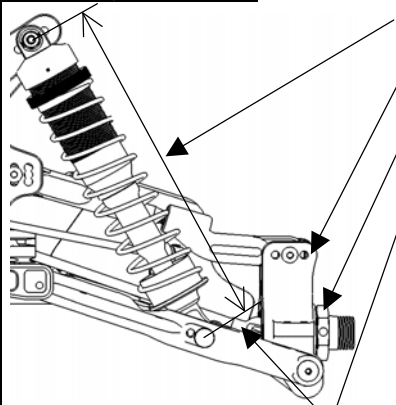
Front upper plate

E2148D E2158(CFRP)

Servo saver arm

E2301A E2310(Aluminum)

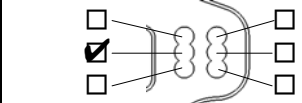
Rear suspension



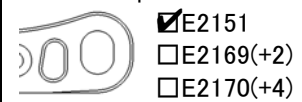
Rebound stop: 117mm
E2131 E2134(Aluminum)
E0239 E0240(1mm)
E2219 E0220(CVD)
E0241(2mm)
 Ride height: 26mm
 Camber angle: -3°
 Lower arm plate:
E2145A,B
E2156(CFRP 1mm)
E2157(CFRP 1.2mm)
 Anti roll bar: φ 2.7 (E0168)
 Lower arm spacer: 0

Upright spacer: 2.5mm

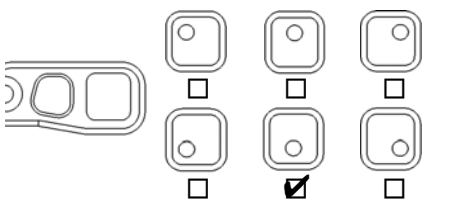
Upper arm position:



Lower arm position:



Lower arm position:



Rear shocks

Piston: E2525 Oil: #550
 Spring: φ 1.6L86-10.75 (E0563)
 Shock position:

 Pivot ball position: Front Rear
 Damper stay: E2563(Aluminum)
E2566(CFRP)

Center shaft

E2228,E2229
E0223,E0259(CVD) E2261,E2262

Tension rod

Front: E2107A(Long) E2107B(Short)
 Rear: E2148C E0803(Rubber)

Weight



Engine

Type: _____ Plug: _____ Reducer: _____
 Muffler: _____ Fuel: _____ Gasket: _____
 Engine mount: E0701(Standard) E2713(One piece)

Diff. gear

		Oil
Front:	<input type="checkbox"/> 44/13T <input checked="" type="checkbox"/> 42/12T	#5,000
Rear:	<input type="checkbox"/> 44/13T <input checked="" type="checkbox"/> 42/12T	#2,000
Center:	<input type="checkbox"/> 44T <input type="checkbox"/> 45T <input checked="" type="checkbox"/> 46T	#5,000
	<input type="checkbox"/> 47T <input type="checkbox"/> 48T	

Tires

	Front	Rear
Type:	_____	_____
Compound:	_____	_____
Inserts:	_____	_____
Wheel:	_____	_____

Clutch

	Clutch bell:	Oil				
		φ 0.9	φ 0.95	φ 1.0	φ 1.05	φ 1.1
A	<input type="checkbox"/> C0754 <input type="checkbox"/> E0704 <input checked="" type="checkbox"/> E0710			<input checked="" type="checkbox"/>		
B	<input type="checkbox"/> C0754 <input type="checkbox"/> E0704 <input checked="" type="checkbox"/> E0710			<input checked="" type="checkbox"/>		
C	<input type="checkbox"/> C0754 <input type="checkbox"/> E0704 <input checked="" type="checkbox"/> E0710			<input checked="" type="checkbox"/>		

Body/Wing

Body: Kit
 Wing: Kit
 Wing stay: E2422A E2428A(+15)
 Wing position:
 Front

Comments

.....

