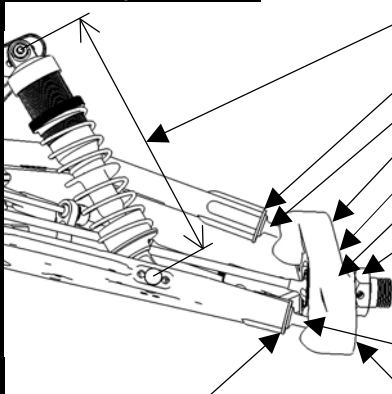
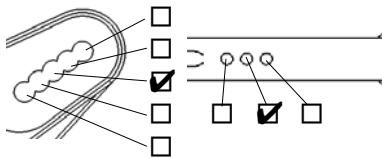
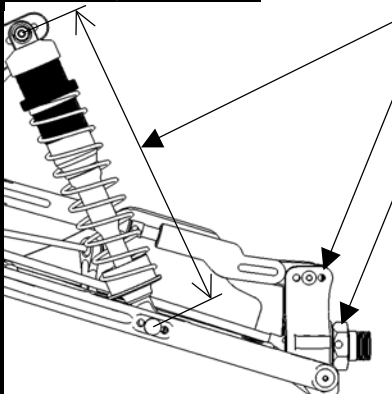
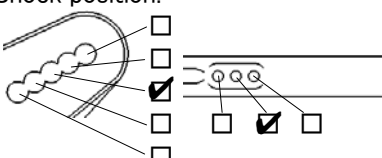


Name: <u>E2023</u> Date: _____ Track: _____	Track conditions Size: <input type="checkbox"/> Open <input type="checkbox"/> Med. <input type="checkbox"/> Tight Traction: <input type="checkbox"/> High <input type="checkbox"/> Med. <input type="checkbox"/> Low Surface: <input type="checkbox"/> Smooth <input type="checkbox"/> Med. <input type="checkbox"/> Bumpy	Result Race time / Lap: _____ Best lap (1Lap): _____
--	--	---

Front suspension  <p>Rebound stop: <u>105mm</u></p> <p>Ride height: <u>36mm</u></p> <p>Toe angle: <u>out</u></p> <p>Kingpin ball spacer: <u>0</u></p> <p>Lower arm plate: <input checked="" type="checkbox"/>E2161A,B <input type="checkbox"/>E2166(CFRP)</p> <p>Anti roll bar: <u>φ 2.4 (E0165)</u></p> <p>Upper arm spacer: <u>2mm</u></p> <p>Kingpin ball spacer: <u>1mm</u></p> <p>Upper arm position:</p> <p>Lower arm position (Kick up):</p>	Front shocks Piston: <u>E2569</u> Oil: <u>#600</u> Spring: <u>φ 1.5L75-7.5 (E0574)</u> Shock position:  <p>Pivot ball position: <input checked="" type="checkbox"/>Front <input type="checkbox"/>Rear</p>
<p>Lower arm spacer: <u>0</u></p> <p>Steering ackerman</p> <p>Front upper plate</p> <p>Servo saver arm</p>	<p>Lower arm position (Kick up):</p> <p>Steering ackerman</p> <p>Front upper plate</p> <p>Servo saver arm</p>

Rear suspension  <p>Rebound stop: <u>127mm</u></p> <p>Ride height: <u>38mm</u></p> <p>Camber angle: <u>-2°</u></p> <p>Lower arm plate: <input checked="" type="checkbox"/>E2162A,B <input type="checkbox"/>E2167(CFRP)</p> <p>Anti roll bar: <u>φ 2.7 (E0168)</u></p> <p>Lower arm spacer: <u>0</u></p> <p>Upright spacer: <u>2.5mm</u></p> <p>Upper arm position:</p> <p>Lower arm position:</p>	Rear shocks Piston: <u>E2569</u> Oil: <u>#600</u> Spring: <u>φ 1.5L86-7.75 (E0578)</u> Shock position:  <p>Pivot ball position: <input checked="" type="checkbox"/>Front <input type="checkbox"/>Rear</p>
<p>Center shaft</p> <p>Tension rod</p> <p>Weight</p>	<p>Center shaft</p> <p>Tension rod</p> <p>Weight</p>

Engine Type: _____ Plug: _____ Reducer: _____ Muffler: _____ Fuel: _____ Gasket: _____ Engine mount: <input checked="" type="checkbox"/> E0701(Standard) <input type="checkbox"/> E2713(One piece)	Diff. gear Oil Front: <u>#10,000</u> Rear: <u>#7,000</u> Center: <input type="checkbox"/> 44T <input type="checkbox"/> 45T <input type="checkbox"/> 46T <u>#10,000</u> <input checked="" type="checkbox"/> 47T <input type="checkbox"/> 48T
--	---

Tires <table style="width:100%;"> <tr> <th style="width:50%;">Front</th> <th style="width:50%;">Rear</th> </tr> <tr> <td>Type: _____</td> <td>Type: _____</td> </tr> <tr> <td>Compound: _____</td> <td>Compound: _____</td> </tr> <tr> <td>Inserts: _____</td> <td>Inserts: _____</td> </tr> <tr> <td>Wheel: _____</td> <td>Wheel: _____</td> </tr> </table>	Front	Rear	Type: _____	Type: _____	Compound: _____	Compound: _____	Inserts: _____	Inserts: _____	Wheel: _____	Wheel: _____	Clutch Clutch bell: <input checked="" type="checkbox"/> 13T <input type="checkbox"/> 14T <table style="width:100%; text-align: center;"> <tr> <td></td> <td>φ 0.9</td> <td>φ 0.95</td> <td>φ 1.0</td> <td>φ 1.05</td> <td>φ 1.1</td> </tr> <tr> <td>A</td> <td><input type="checkbox"/>C0754</td> <td><input type="checkbox"/>E0704</td> <td><input checked="" type="checkbox"/>E0710</td> <td><input type="checkbox"/></td> <td><input type="checkbox"/></td> </tr> <tr> <td>B</td> <td><input type="checkbox"/>C0754</td> <td><input type="checkbox"/>E0704</td> <td><input checked="" type="checkbox"/>E0710</td> <td><input type="checkbox"/></td> <td><input type="checkbox"/></td> </tr> <tr> <td>C</td> <td><input type="checkbox"/>C0754</td> <td><input type="checkbox"/>E0704</td> <td><input checked="" type="checkbox"/>E0710</td> <td><input type="checkbox"/></td> <td><input type="checkbox"/></td> </tr> </table>		φ 0.9	φ 0.95	φ 1.0	φ 1.05	φ 1.1	A	<input type="checkbox"/> C0754	<input type="checkbox"/> E0704	<input checked="" type="checkbox"/> E0710	<input type="checkbox"/>	<input type="checkbox"/>	B	<input type="checkbox"/> C0754	<input type="checkbox"/> E0704	<input checked="" type="checkbox"/> E0710	<input type="checkbox"/>	<input type="checkbox"/>	C	<input type="checkbox"/> C0754	<input type="checkbox"/> E0704	<input checked="" type="checkbox"/> E0710	<input type="checkbox"/>	<input type="checkbox"/>
Front	Rear																																		
Type: _____	Type: _____																																		
Compound: _____	Compound: _____																																		
Inserts: _____	Inserts: _____																																		
Wheel: _____	Wheel: _____																																		
	φ 0.9	φ 0.95	φ 1.0	φ 1.05	φ 1.1																														
A	<input type="checkbox"/> C0754	<input type="checkbox"/> E0704	<input checked="" type="checkbox"/> E0710	<input type="checkbox"/>	<input type="checkbox"/>																														
B	<input type="checkbox"/> C0754	<input type="checkbox"/> E0704	<input checked="" type="checkbox"/> E0710	<input type="checkbox"/>	<input type="checkbox"/>																														
C	<input type="checkbox"/> C0754	<input type="checkbox"/> E0704	<input checked="" type="checkbox"/> E0710	<input type="checkbox"/>	<input type="checkbox"/>																														

Body/Wing Body: <u>Kit</u> Wing: <u>Kit</u> Wing stay: <input checked="" type="checkbox"/> E2422A <input type="checkbox"/> E2428A(+15) Wing position: <input type="checkbox"/> Front <input checked="" type="checkbox"/> 	Comments _____ _____ _____
---	--