

Name: _____
 Date: _____
 Track: _____

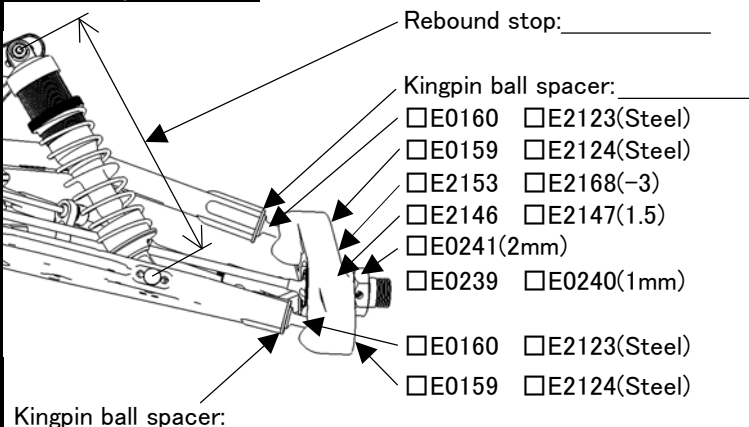
Track conditions

Size: Open Med. Tight
 Traction: High Med. Low
 Surface: Smooth Med. Bumpy

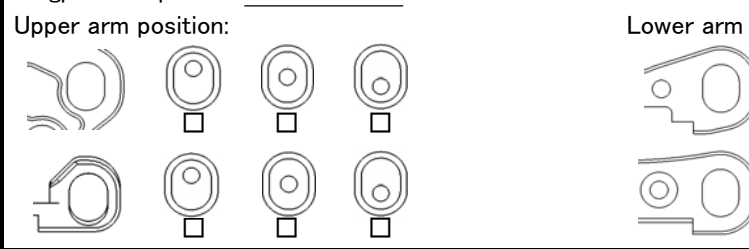
Result

Race time / Lap: _____
 Best lap (1Lap): _____

Front suspension



Ride height: _____
 Toe angle: _____
 Lower arm plate: _____
 E2161A,B
 E2166(CFRP)
 Anti roll bar: _____
 Upper arm spacer: _____

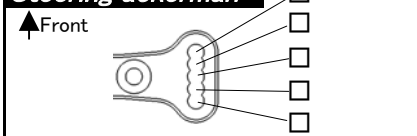


Front shocks

Piston: _____ Oil: _____
 Spring: _____
 Shock position: _____

Pivot ball position: _____
 Front Rear

Steering ackerman



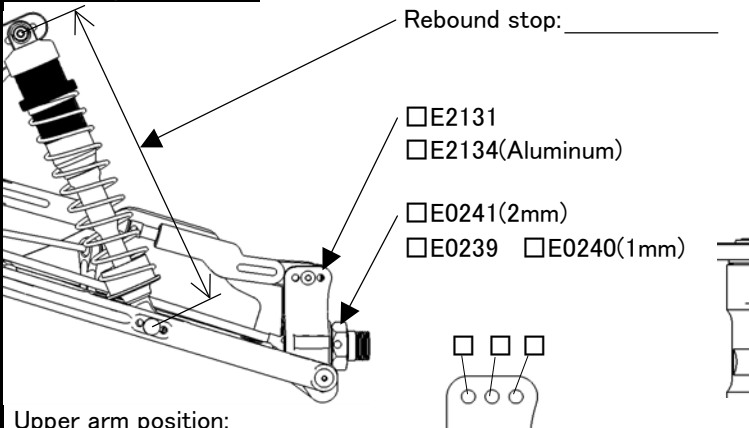
Front upper plate

E2148D E2158(CFRP)

Servo saver arm

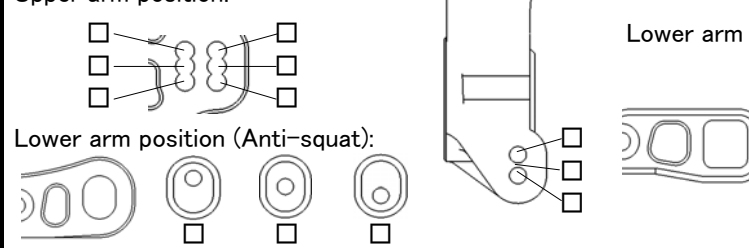
E2301A E2310(Aluminum)

Rear suspension



Ride height: _____
 Camber angle: _____
 Lower arm plate: _____
 E2162A,B
 E2167(CFRP)
 Anti roll bar: _____
 Lower arm spacer: _____

Upright spacer: _____



Rear shocks

Piston: _____ Oil: _____
 Spring: _____
 Shock position: _____

Pivot ball position: _____
 Front Rear

Center shaft

E2215,E2216(CVD) E2230,E2231

Tension rod

Front: E2107A(Long) E2107B(Short)
 Rear: E2148C E0803(Rubber)

Weight



Engine

Type: _____ Plug: _____ Reducer: _____
 Muffler: _____ Fuel: _____ Gasket: _____
 Engine mount: E0701(Standard) E2713(One Piece)

Diff. gear

Oil _____
 Front: _____
 Rear: _____
 Center: 44T 46T
 47T 48T

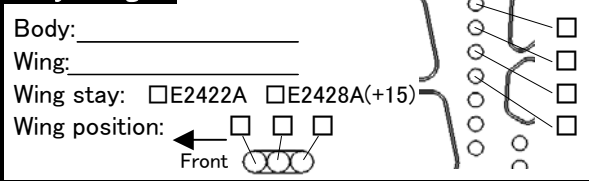
Tires

	Front	Rear
Type:	_____	_____
Compound:	_____	_____
Inserts:	_____	_____
Wheel:	_____	_____

Clutch

	Clutch bell:		Oil				
	<input type="checkbox"/> 13T	<input type="checkbox"/> 14T	φ 0.9	φ 0.95	φ 1.0	φ 1.05	φ 1.1
A	<input type="checkbox"/> C0754	<input type="checkbox"/> E0704 <input type="checkbox"/> E0710					
B	<input type="checkbox"/> C0754	<input type="checkbox"/> E0704 <input type="checkbox"/> E0710					
C	<input type="checkbox"/> C0754	<input type="checkbox"/> E0704 <input type="checkbox"/> E0710					

Body/Wing



Comments

.....

