

1/8th Scale Electric Powered Racing Buggy MBX8R ECO Parts List (E2028)

B,C,D-Parts

Grid of parts including B0431a (3mm cone washer), C0107Da (pivot ball), C0264 (joint shaft), C0270 (joint pin), C0271 (joint pin), C0529Aa (link ball), C0601 (bearings), C0601/1a (bearings), C0605 (bearings), C0801Ha (pivot bush), D0602 (bearings), D0807 (body pin).

E-Parts

Grid of parts including E0117 (titanium rear upper arm), E0135-Ba (suspension spacers), E0155 (anti-roll bar link), E0159 (adjust nut), E0160a (front lower kingpin ball), E0161a (front track width adjust spacer), E0162a (front upper arm shaft), E0163 (front anti-roll bar), E0164 (front anti-roll bar), E0165 (front anti-roll bar), E0166 (front anti-roll bar), E0167 (front anti-roll bar), E0175 (rear anti-roll bar), E0176 (rear anti-roll bar).

B,C,D-Parts

- B0431a 3mm CONE WASHER
C0107Da PIVOT BALL φ7mm
C0264 JOINT SHAFT
C0270 JOINT PIN(FOR E2228/E2229/E2261/E2262)
C0271 JOINT PIN(FOR E2218/E2219/E0222)
C0529Aa LINK BALL
C0601 BEARINGS (8x16x5) 2pcs.
C0601/1a BEARINGS (8x16x5) 10pcs.
C0605 BEARINGS (6x10x3) 2pcs.
C0801Ha PIVOT BUSH
D0602 BEARINGS (6x13x5) 2pcs.
D0807 BODY PIN 15/21

E-Parts

- E0117 TITANIUM REAR UPPER ARM
E0135-Ba SUS. ARM SPACER
E0155 ANTI ROLL BAR LINK
E0159 ADJUST NUT
E0160a FRONT LOWER KINGPIN BALL
E0161a FRONT TRACK WIDTH ADJUST SPACER
E0162a FRONT UPPER ARM SHAFT
E0163 E0163 FRONT ANTI ROLL BAR φ2.2mm
E0164 E0164 FRONT ANTI ROLL BAR φ2.3mm
E0165 E0165 FRONT ANTI ROLL BAR φ2.4mm
E0166 E0166 FRONT ANTI ROLL BAR φ2.5mm
E0167 E0167 FRONT ANTI ROLL BAR φ2.6mm
E0168 REAR ANTI ROLL BAR φ2.7mm
E0169 REAR ANTI ROLL BAR φ2.8mm
E0170 REAR ANTI ROLL BAR φ2.9mm
E0171 REAR ANTI ROLL BAR φ3.0mm

Grid of parts including E0174 (washer set), E0175 (front anti-roll bar), E0176 (rear anti-roll bar), E0183 (rebound stop adj. screw), E0210 (pin), E0219a (self-lock wheel nut), E0220 (universal joint set), E0221 (axle shaft), E0222 (drive shaft), E0238 (joint pin), E0239a (wheel hub), E0240a (wide offset wheel hub), E0241a (wide offset wheel hub), E0242 (aluminum axle shaft), E0322 (radio box grommet), E0517 (oil seal cap), E0519 (oil seal set), E0520 (damper end parts), E0545a (damper pivot bush), E0546a (damper pivot bush), E0548b (damper pivot), E0554 (rear damper spring), E0555 (rear damper spring), E0556 (rear damper spring), E0561 (rear damper spring), E0562 (rear damper spring), E0563 (rear damper spring), E0568 (rear damper spring), E0569 (rear damper spring).

B,C,D-Parts

- E0174 WASHER SET
E0175 FRONT ANTI ROLL BAR φ2.1mm
E0176 REAR ANTI ROLL BAR φ2.6mm
E0183 REBOUND STOP ADJ. SCREW φ3x16.8 PIN (8pcs.)
E0210 SELF-LOCK WHEEL NUT
E0219a F/R UNIVERSAL JOINT SET
E0220 F/R AXLE SHAFT
E0221 F/R DRIVE SHAFT
E0238 JOINT PIN (φ2.5x14.8)(FOR E0220/E0221/E0242)
E0239a WHEEL HUB
E0240a WIDE OFFSET WHEEL HUB 1mm
E0241a WIDE OFFSET WHEEL HUB 2mm
E0242 AL. F/R AXLE SHAFT
E0322 RADIO BOX GROMMET
E0517 FRONT DAMPER SHAFT
E0519 OIL SEAL CAP
E0520 OIL SEAL SET
E0545a DAMPER END PARTS
E0546a DAMPER MOUNT PIVOT BUSH
E0548b DAMPER MOUNT PIVOT
E0554 REAR DAMPER SPRING φ1.6 L86/10.5T
E0555 REAR DAMPER SPRING φ1.6 L86/10.25T
E0556 REAR DAMPER SPRING φ1.6 L86/10.0T
E0561 REAR DAMPER SPRING φ1.6 L86/11.25T
E0562 REAR DAMPER SPRING φ1.6 L86/11.0T
E0563 REAR DAMPER SPRING φ1.6 L86/10.75T
E0568 REAR DAMPER SPRING φ1.6 L86/9.75T
E0569 REAR DAMPER SPRING φ1.6 L86/9.5T

Grid of parts including E0575 (rear damper spring), E0576 (rear damper spring), E0577 (rear damper spring), E0578 (rear damper spring), E0582 (rear damper spring), E0601a (bearings), E0601/1b (bearings), E0711 (pinion gear), E0712 (pinion gear), E0713 (pinion gear), E0714 (pinion gear), E0715 (pinion gear), E0716 (pinion gear), E0803 (fuel tank bush), E0806 (turnbuckle rod), E0808a (titanium turnbuckle rod), E0814 (ball link), E0829a (anti-roll bar link ball), E0838 (steering rod), E1024a (wheel), E1025a (wheel), E1072a (body), E1081W (rear wing).

B,C,D-Parts

- E0575 REAR DAMPER SPRING φ1.5 L86/8.5T
E0576 REAR DAMPER SPRING φ1.5 L86/8.25T
E0577 REAR DAMPER SPRING φ1.5 L86/8.0T
E0578 REAR DAMPER SPRING φ1.5 L86/7.75T
E0582 REAR DAMPER SPRING φ1.5 L86/8.75T
E0601a BEARINGS (15x21x4) 2pcs.
E0601/1b BEARINGS (15x21x4) 10pcs.
E0711 PINION GEAR 12T
E0712 PINION GEAR 13T
E0713 PINION GEAR 14T
E0714 PINION GEAR 15T
E0715 PINION GEAR 16T
E0716 PINION GEAR 17T
E0803 FUEL TANK BUSH
E0806 TURNBUCKLE ROD 35mm
E0808a TITANIUM TURNBUCKLE ROD 35mm
E0814 BALL LINK φ7mm
E0829a ANTI ROLL BAR LINK BALL
E0838 STEERING ROD 52
E1024a WHEEL LD WHITE (4pcs.)
E1025a WHEEL LD YELLOW (4pcs.)
E1071a BODY MBX8 ECO (0.8mm)
E1081W REAR WING (WHITE)
E1081Y REAR WING (YELLOW)
E1081B REAR WING (BLACK)

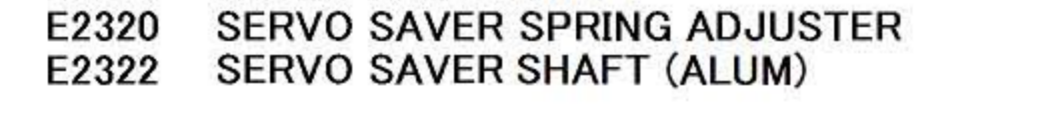
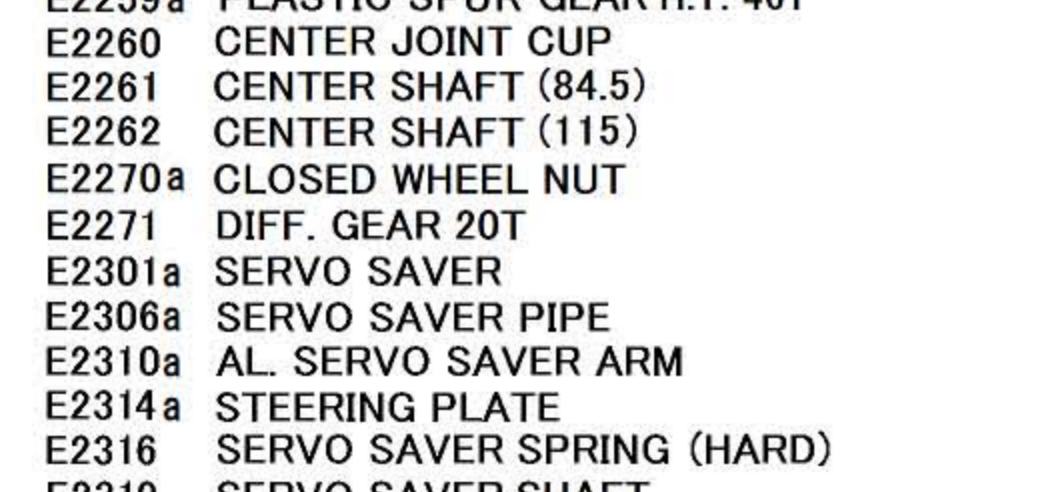
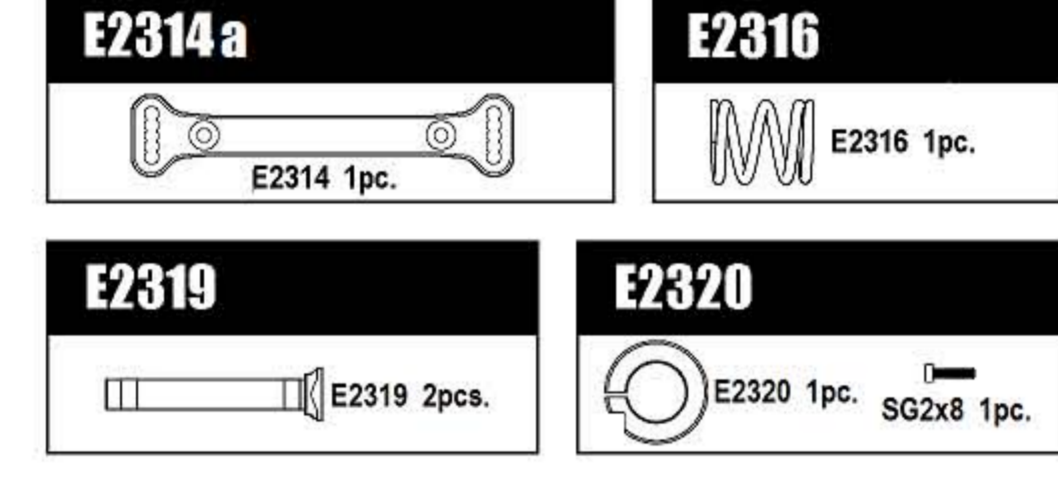
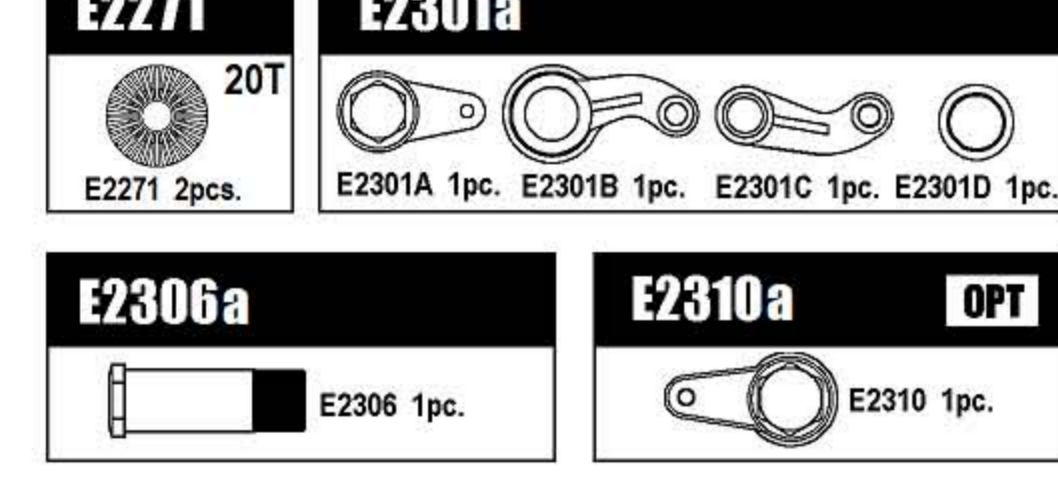
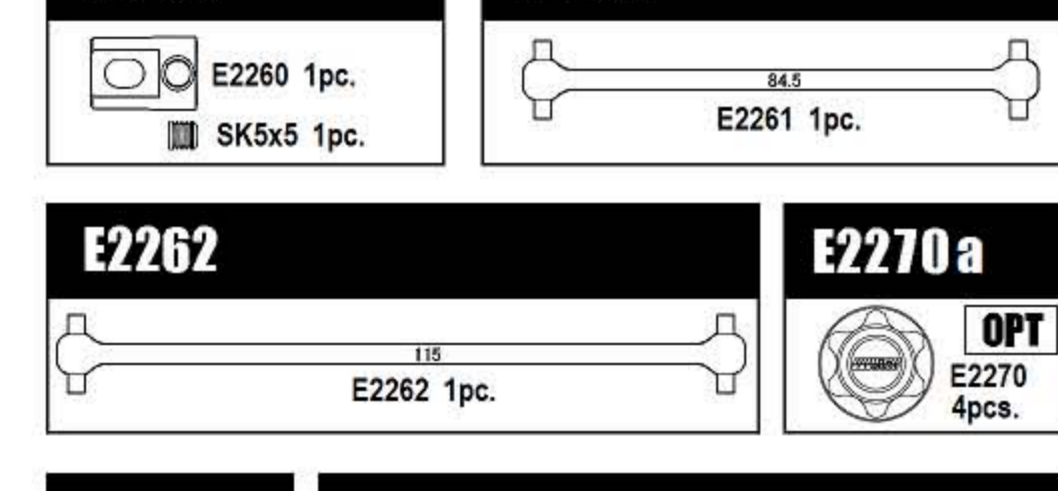
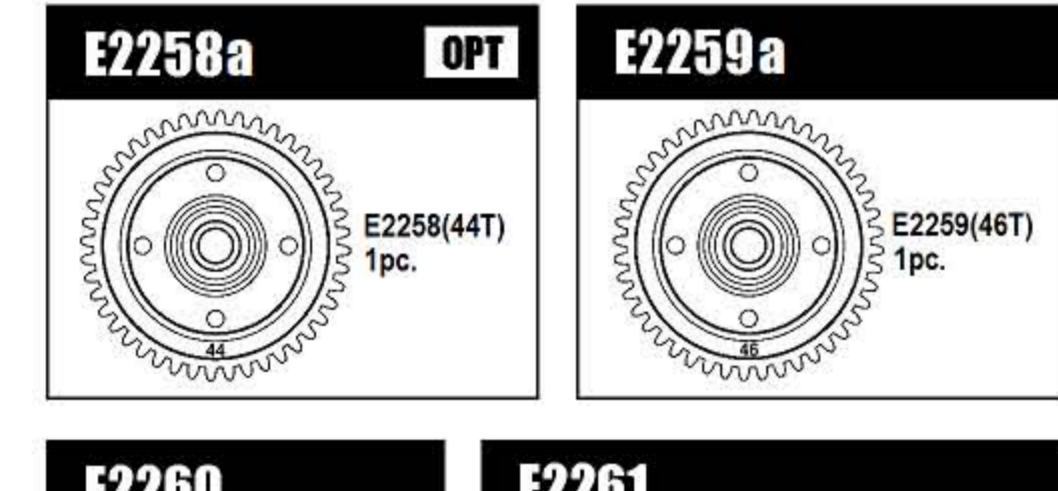
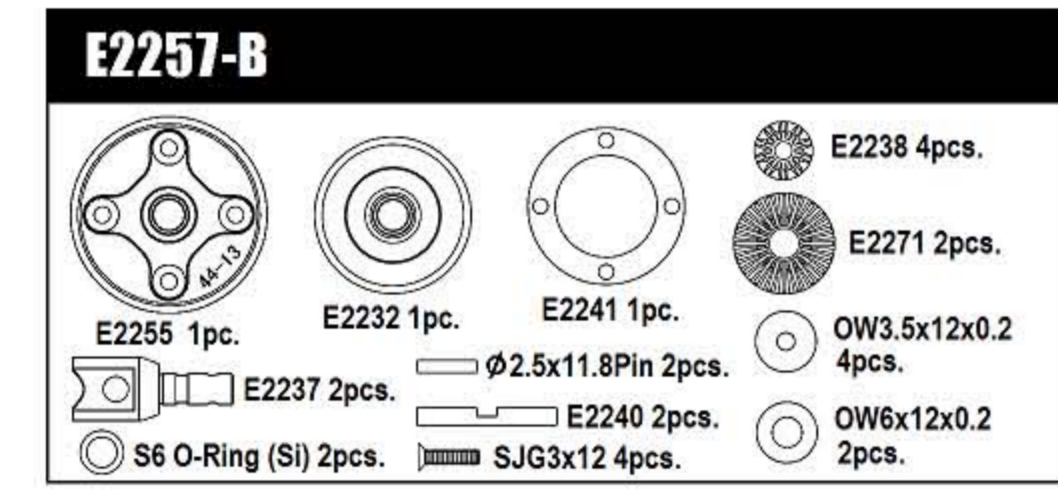
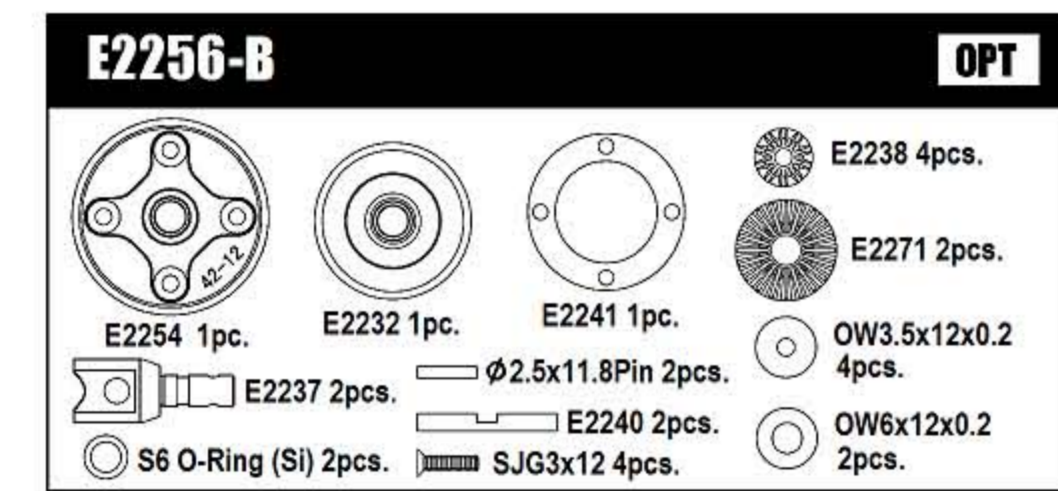
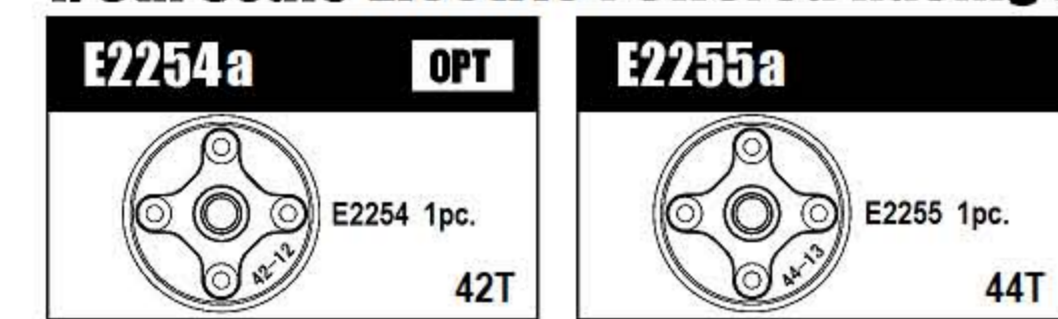
1/8スケール MBX8R ECO パーツリスト (E2028)

Grid of parts including E1083 (instruction manual), E2103-B (front lower arm), E2115 (front lower arm shaft), E2116 (rear lower arm shaft), E2120 (rear lower arm shaft L), E2121Ba (servo saver spacer), E2123 (kingpin ball), E2124 (adjust nut), E2132 (front upper arm), E2136 (front anti-roll bar), E2137 (front anti-roll bar), E2138 (rear anti-roll bar), E2139a (front track width adjust spacer), E2141Aa (motor mount A), E2141Ba (motor mount B), E2142a (gear box), E2144a (arm mount insert set), E2146a (front lower arm), E2147a (front lower arm), E2174 (rear lower arm), E2175 (rear lower arm), E2176 (rear lower arm), E2177 (rear link plates), E2178 (rear link plates), E2179 (anti-roll bar stopper).

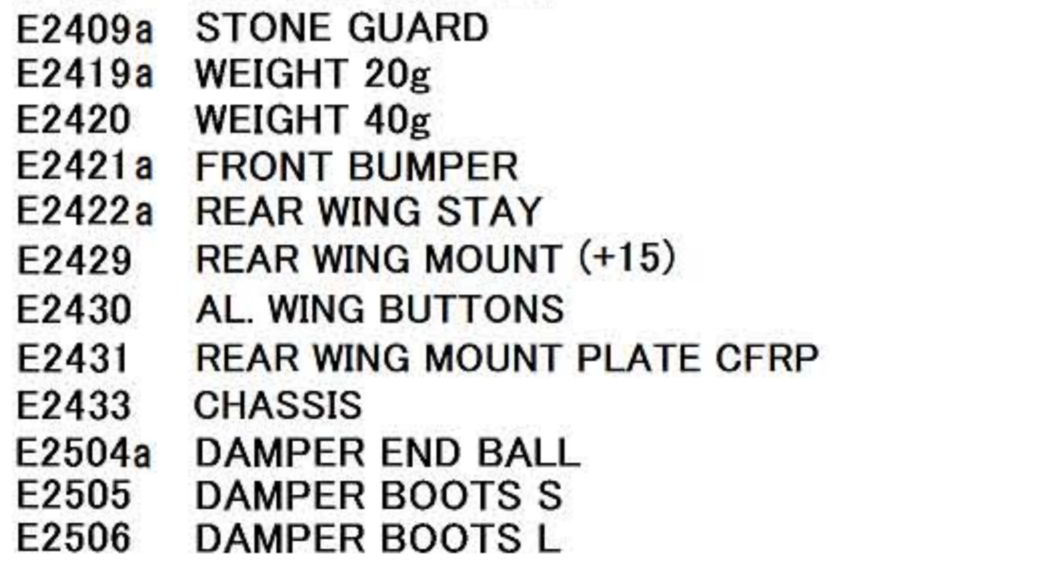
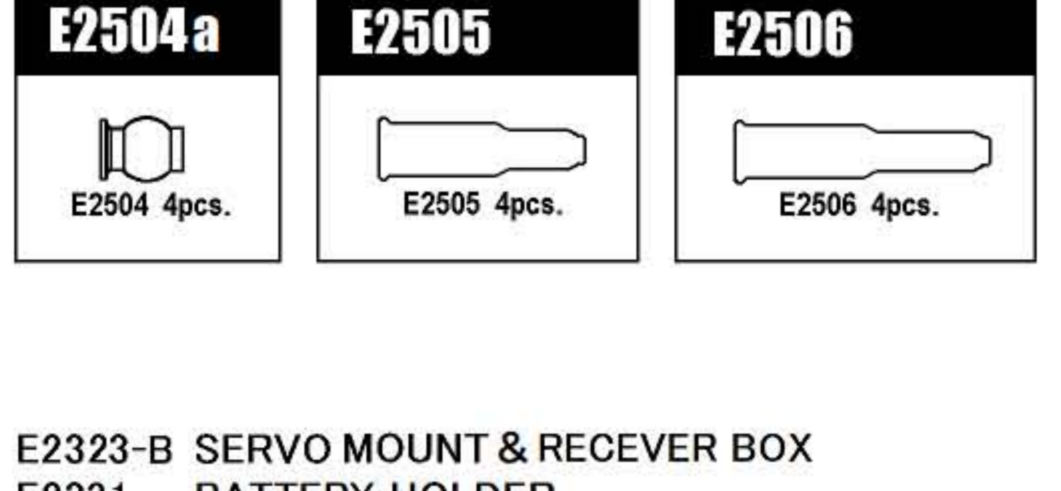
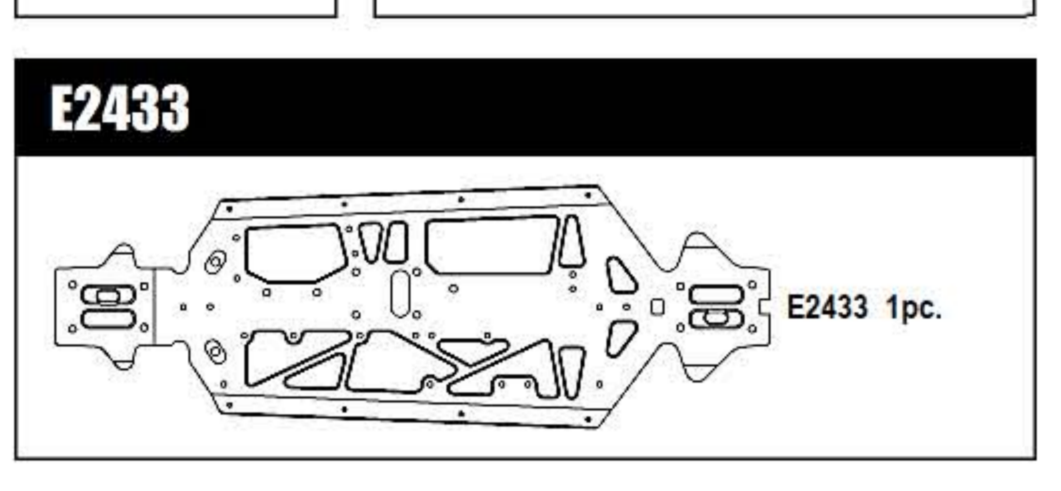
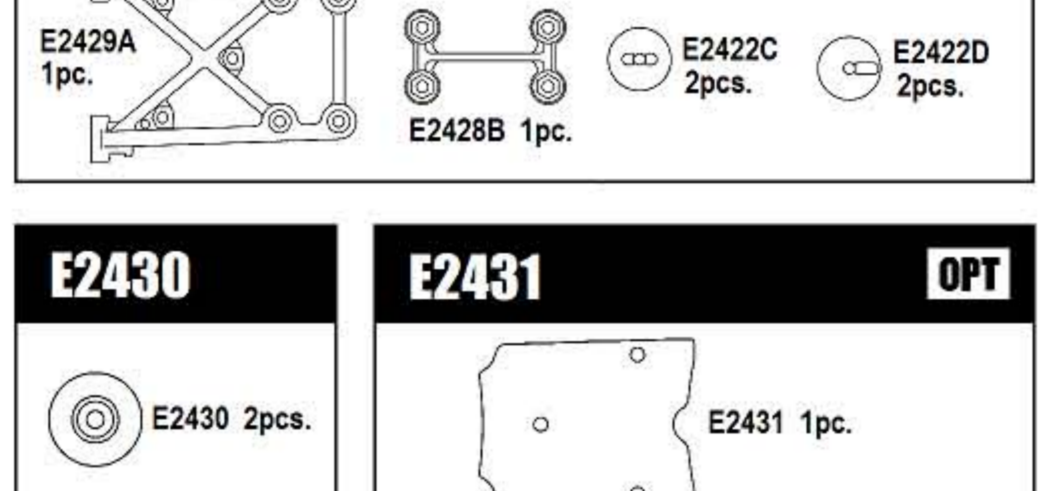
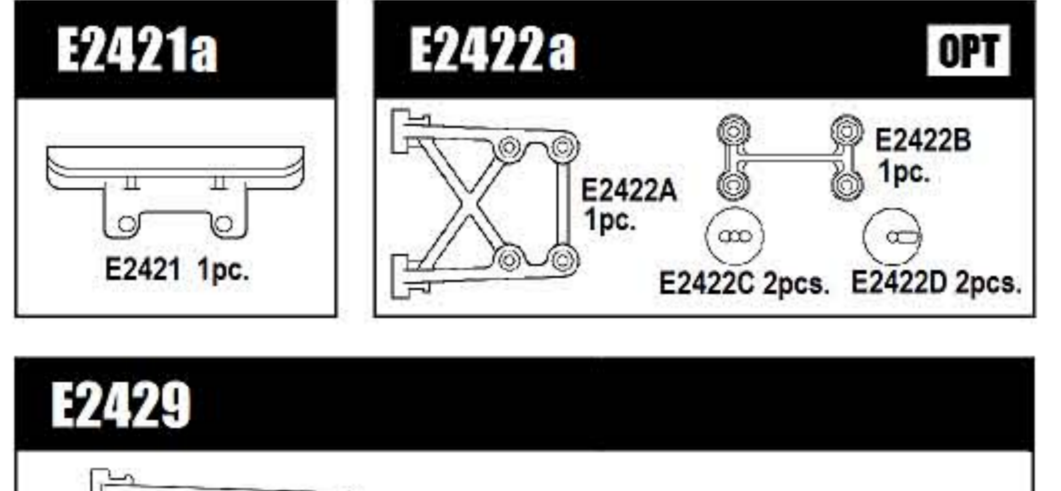
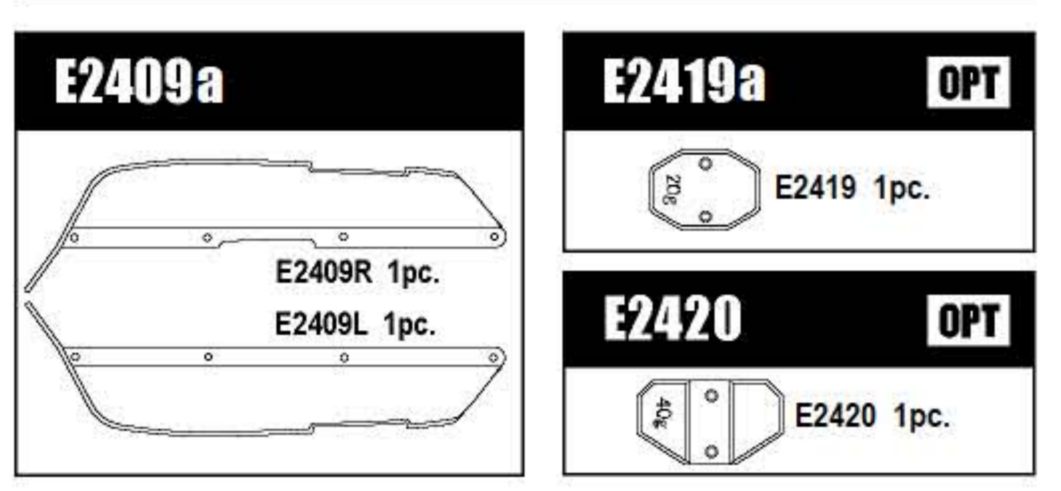
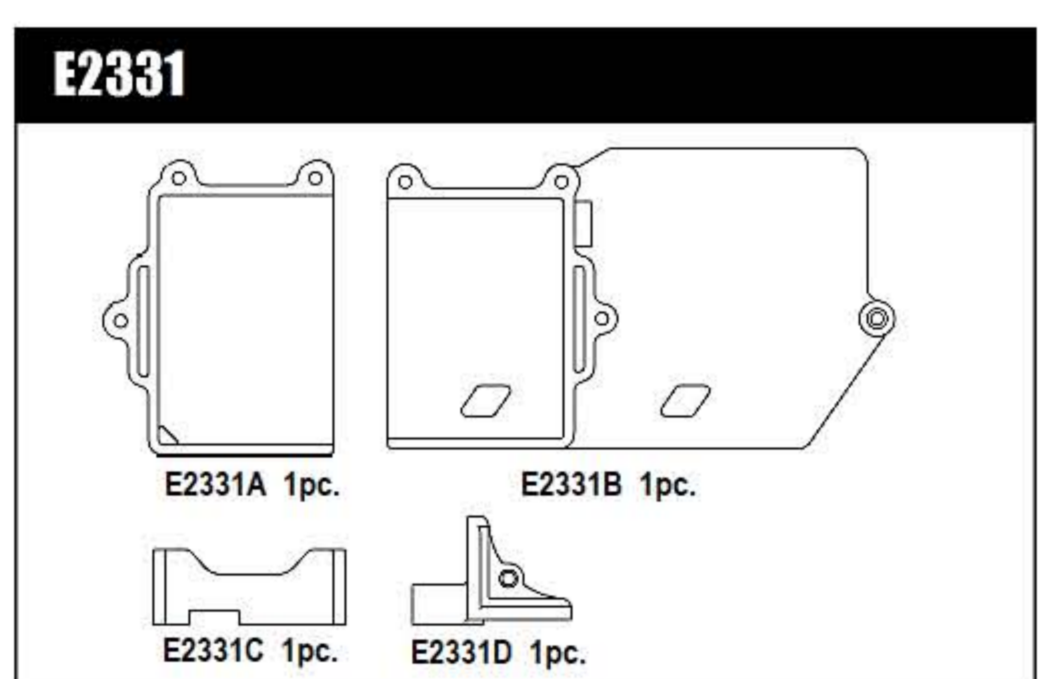
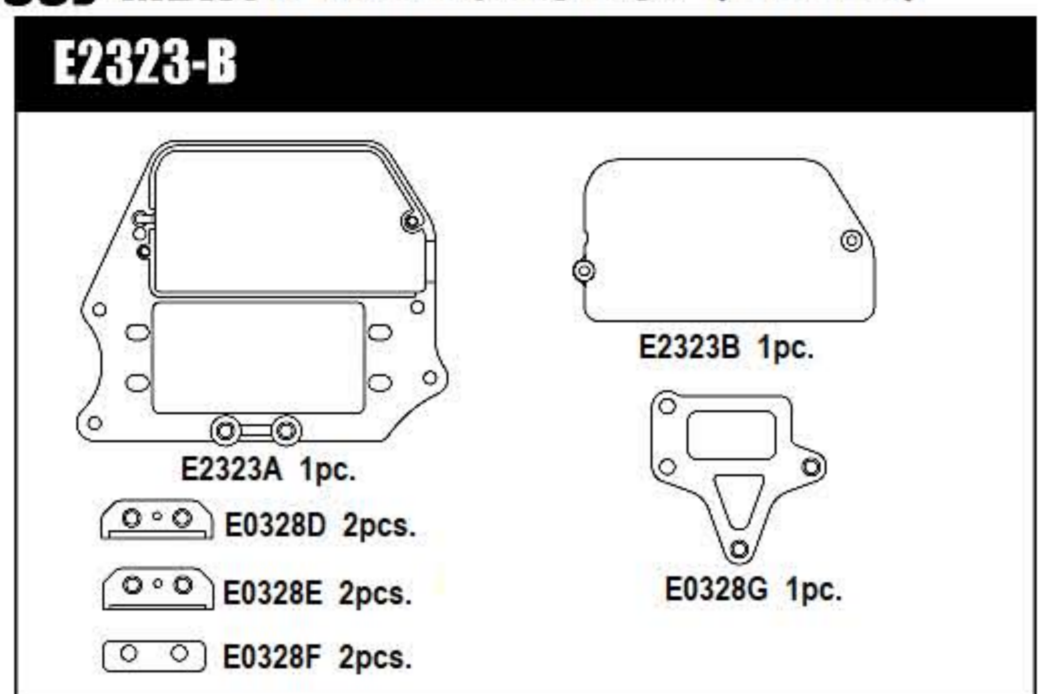
1/8スケール MBX8R ECO パーツリスト (E2028)

Grid of parts including E2148a (tension rod), E2149a (front lower arm mount F), E2150a (front lower arm mount R), E2153a (front upright arm), E2154a (front lower arm plate), E2155a (front lower arm plate), E2158a (front upper plate), E2159 (rear upper arm rod), E2160-B (center diff. mount), E2168a (front upright arm), E2171 (rear lower arms), E2172 (rear hubs), E2173 (arm mount insert set), E2174 (front link mount), E2175 (rear lower arm mount), E2176 (rear lower arm mount), E2177 (rear link plates), E2178 (rear link plates), E2179 (anti-roll bar stopper).

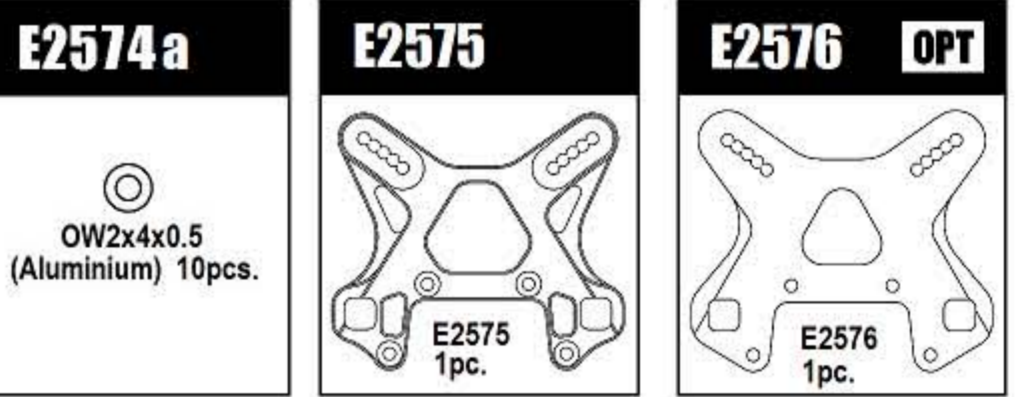
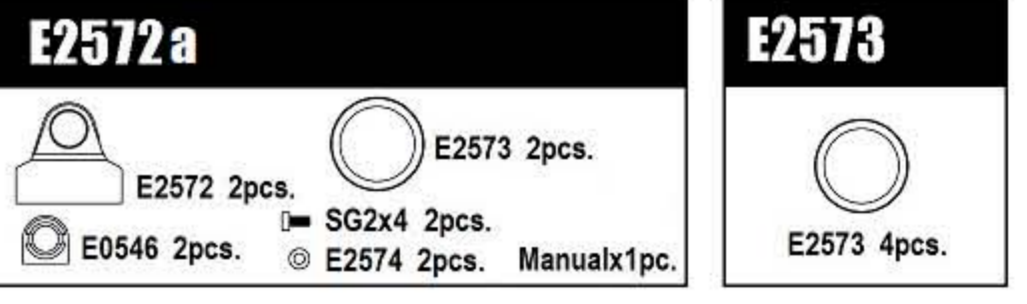
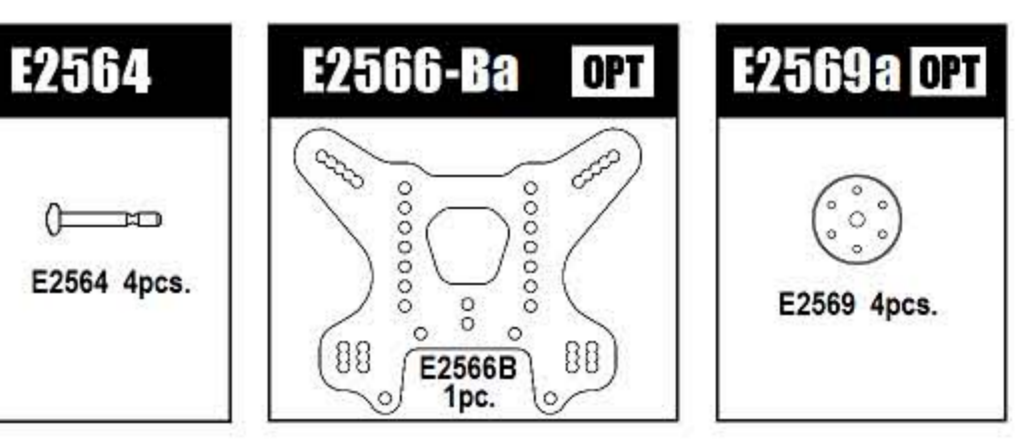
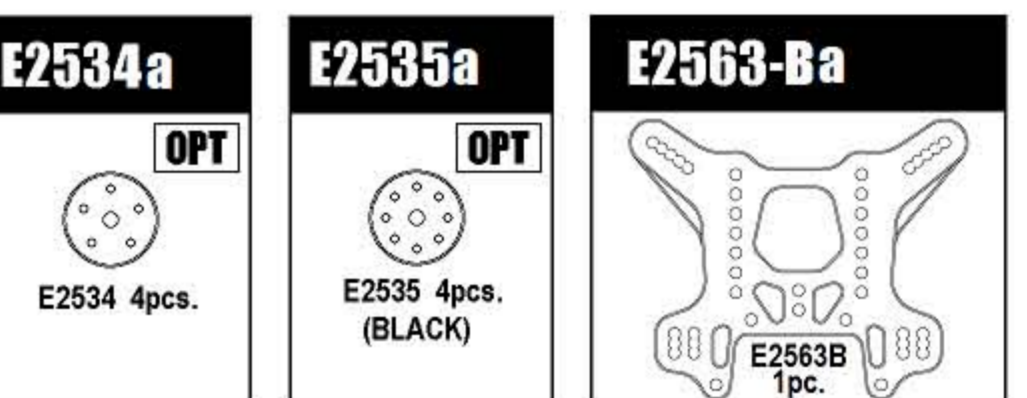
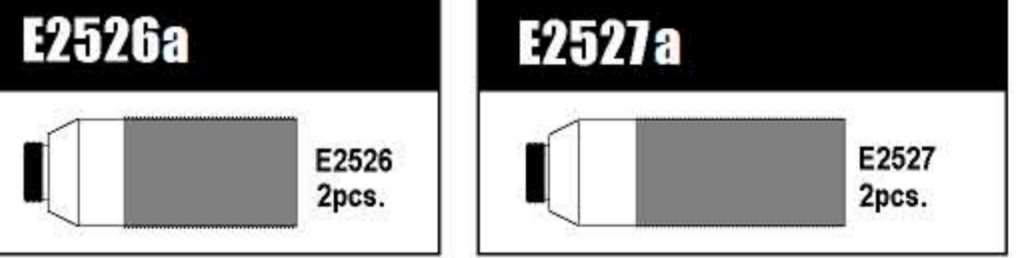
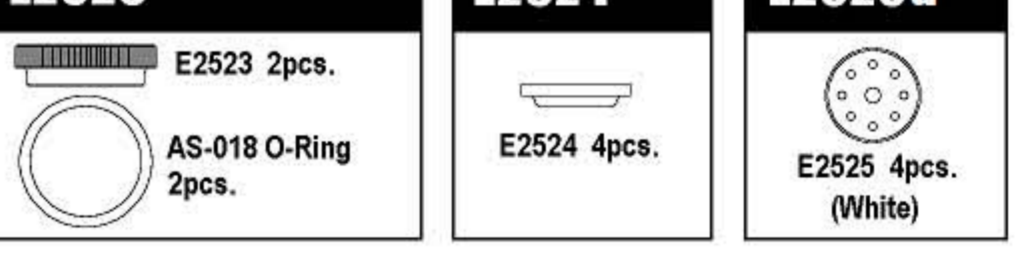
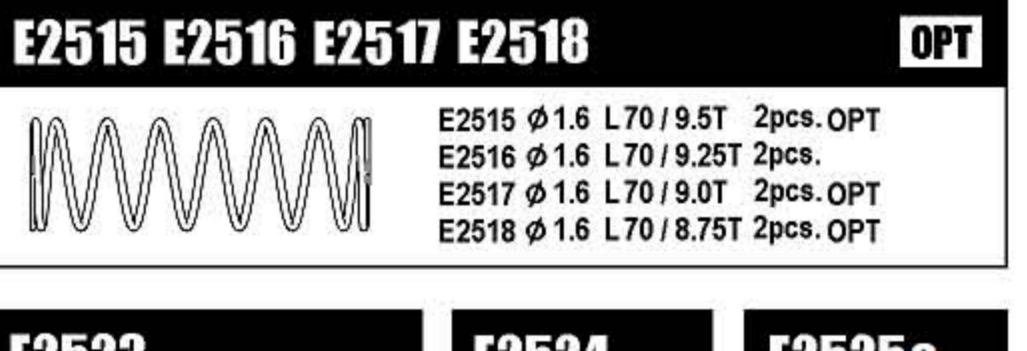
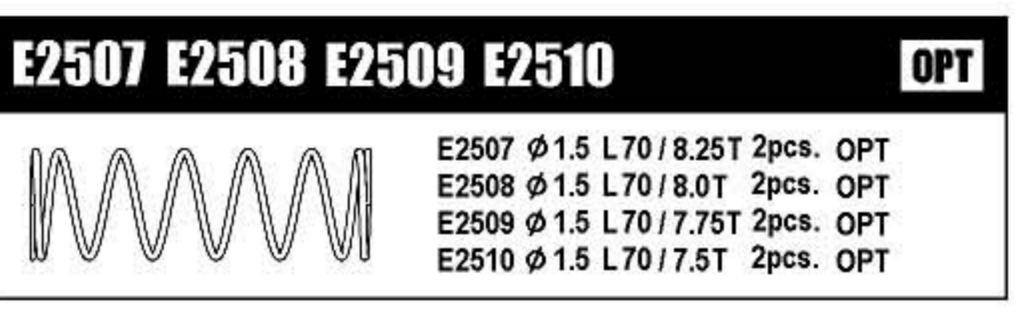
Grid of parts including E2180 (rear lower arm plates), E2181 (rear lower arm plates), E2182 (rear hub set), E2182A/B (rear hub bush set), E2182L (rear hub L), E2182R (rear hub R), E2183 (rear lower arms), E2184 (front anti-roll bar), E2185 (rear anti-roll bar), E2188 (front universal joint), E2189 (rear universal joint), E2228 (center universal joint), E2229 (center universal joint), E2232a (diff. case), E2237 (diff. cup joint), E2238a (diff. gear), E2240a (diff. shaft), E2241 (gasket), E2242a (s6 o-rings), E2243 (diff. washer set), E2252a (bevel gear), E2253a (bevel gear).



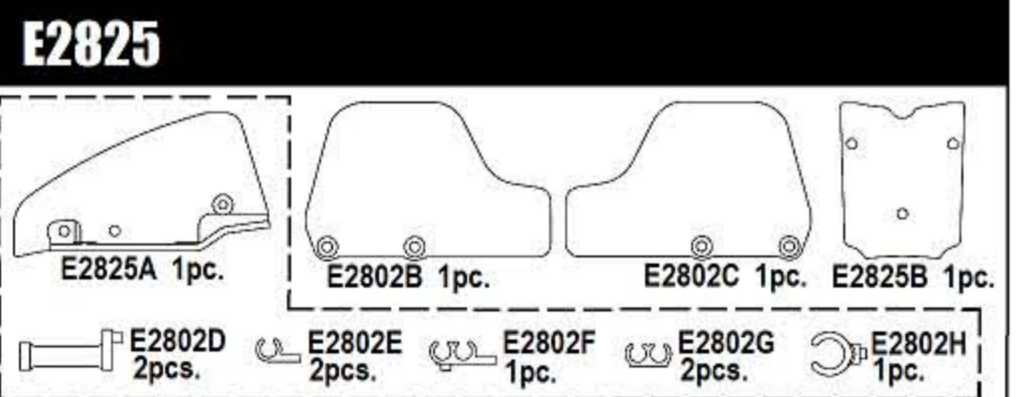
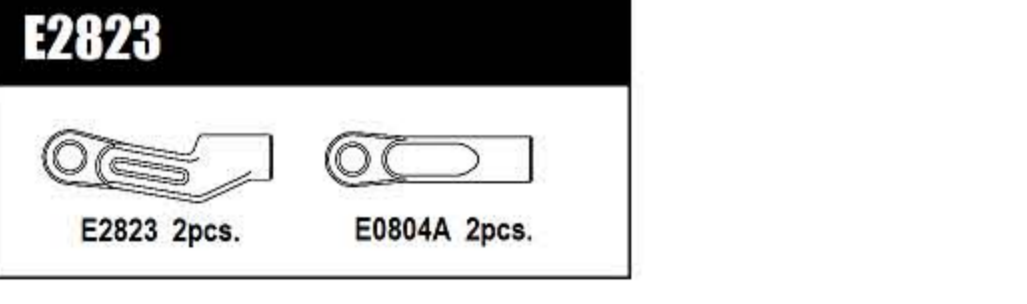
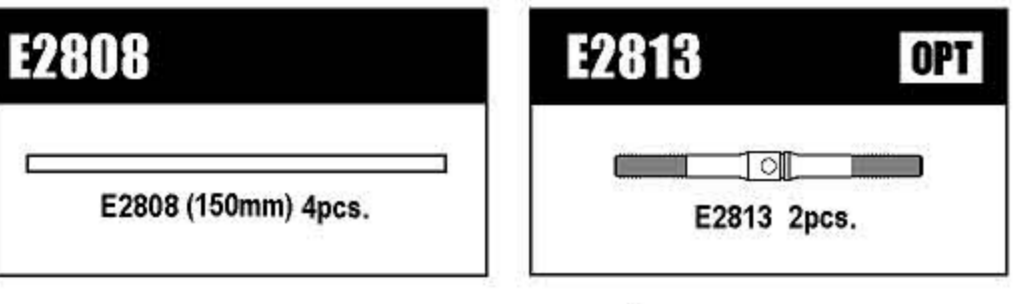
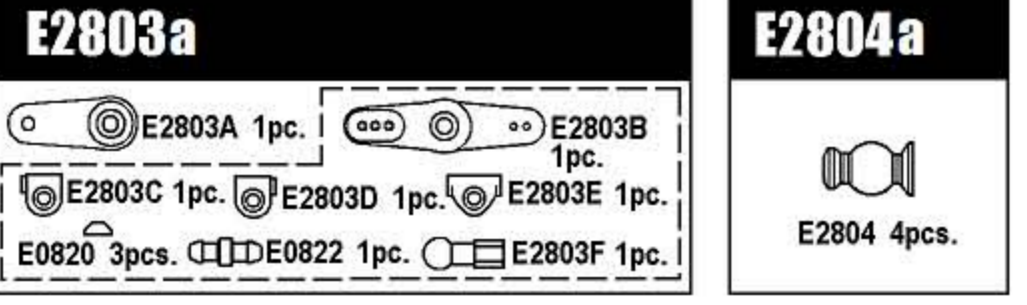
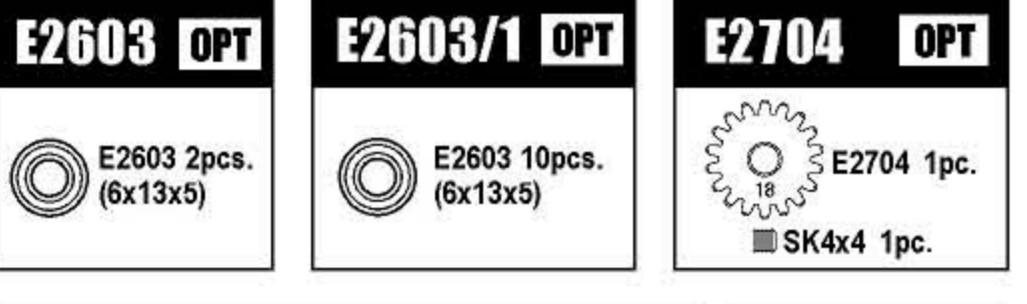
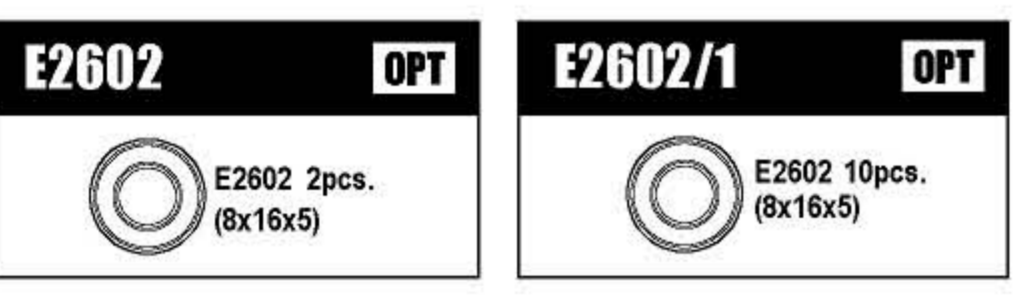
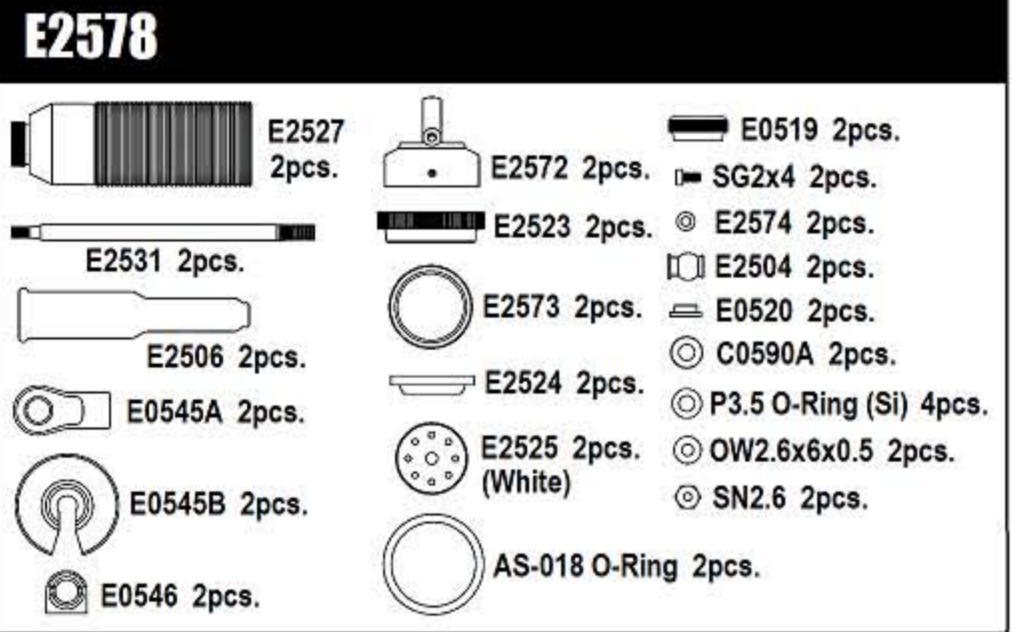
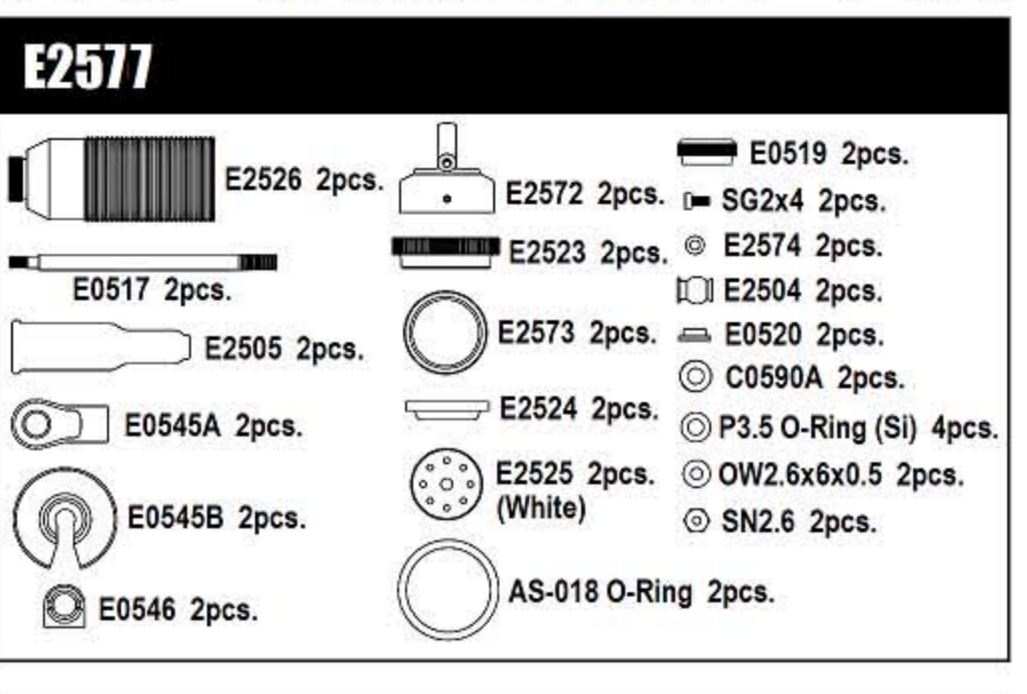
E2254 a CONICAL GEAR 42T  
 E2255 a CONICAL GEAR 44T  
 E2256-B F/R DIFF. SET (42T)  
 E2257-B F/R DIFF. SET (44T)  
 E2258 a PLASTIC SPUR GEAR H.T. 44T  
 E2259 a PLASTIC SPUR GEAR H.T. 46T  
 E2260 CENTER JOINT CUP  
 E2261 CENTER SHAFT (84.5)  
 E2262 CENTER SHAFT (115)  
 E2270 a CLOSED WHEEL NUT  
 E2271 DIFF. GEAR 20T  
 E2301 a SERVO SAVER  
 E2306 a SERVO SAVER PIPE  
 E2310 a AL. SERVO SAVER ARM  
 E2314 a STEERING PLATE  
 E2316 SERVO SAVER SPRING (HARD)  
 E2319 SERVO SAVER SHAFT  
 E2320 SERVO SAVER SPRING ADJUSTER  
 E2322 SERVO SAVER SHAFT (ALUM)



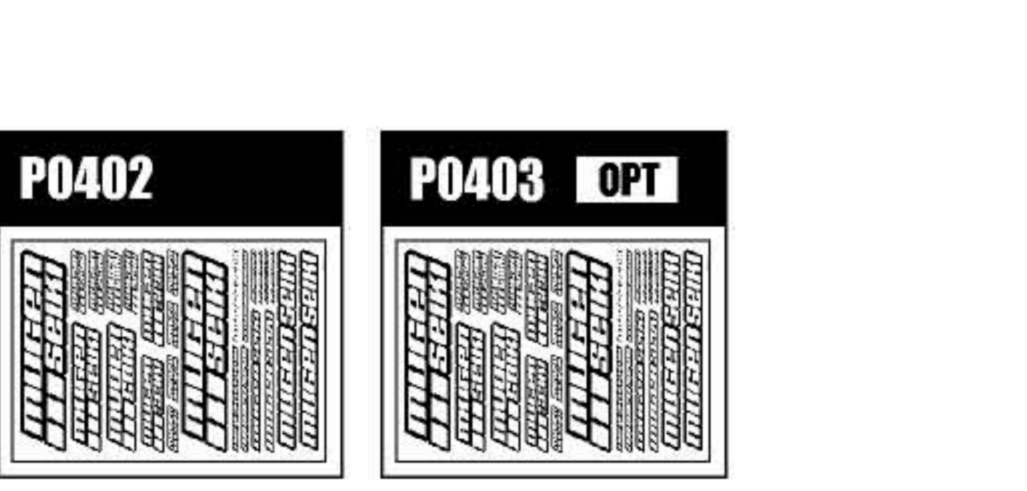
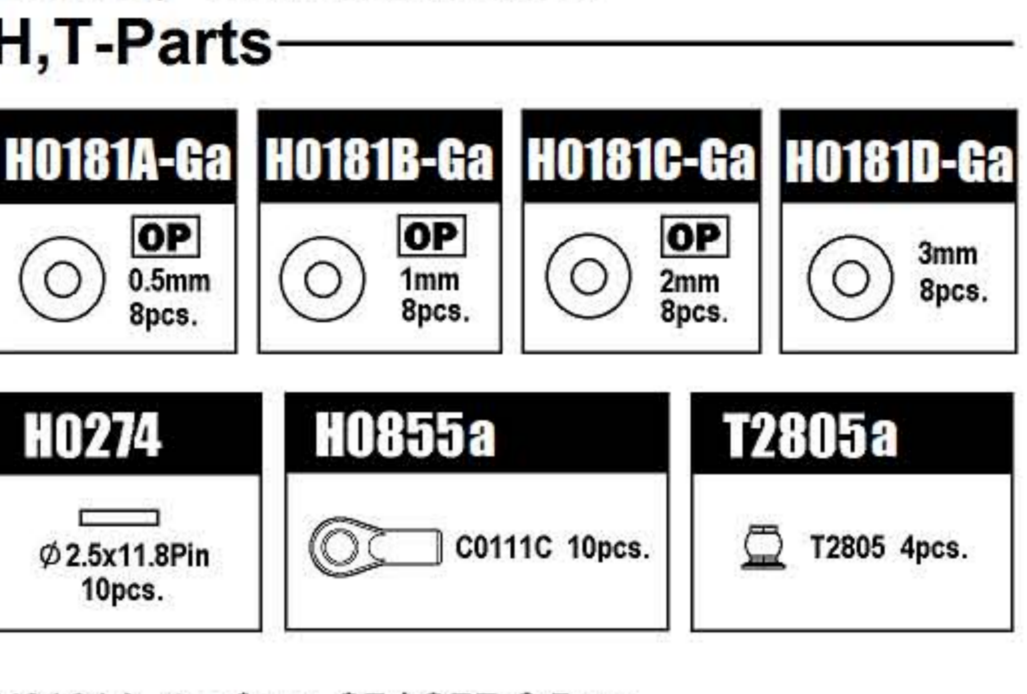
E2323-B SERVO MOUNT & RECEIVER BOX  
 E2331 BATTERY HOLDER  
 E2409 a STONE GUARD  
 E2419 a WEIGHT 20g  
 E2420 WEIGHT 40g  
 E2421 a FRONT BUMPER  
 E2422 a REAR WING STAY  
 E2429 REAR WING MOUNT (+15)  
 E2430 AL. WING BUTTONS  
 E2431 REAR WING MOUNT PLATE CFRP  
 E2433 CHASSIS  
 E2504 a DAMPER END BALL  
 E2505 DAMPER BOOTS S  
 E2506 DAMPER BOOTS L



E2507 FRONT DAMPER SPRING  $\phi$ 1.5 L70/8.25T  
 E2508 FRONT DAMPER SPRING  $\phi$ 1.5 L70/8.0T  
 E2509 FRONT DAMPER SPRING  $\phi$ 1.5 L70/7.75T  
 E2510 FRONT DAMPER SPRING  $\phi$ 1.5 L70/7.5T  
 E2515 FRONT DAMPER SPRING  $\phi$ 1.6 L70/9.5T  
 E2516 FRONT DAMPER SPRING  $\phi$ 1.6 L70/9.25T  
 E2517 FRONT DAMPER SPRING  $\phi$ 1.6 L70/9.0T  
 E2518 FRONT DAMPER SPRING  $\phi$ 1.6 L70/8.75T  
 E2523 DAMPER SPRING ADJUSTER DIAPHRAGM  
 E2524 DAMPER PISTON ( $\phi$ 1.3/8H)  
 E2526 a FRONT DAMPER CASE  
 E2527 a REAR DAMPER CASE  
 E2530 AS-018 O-RINGS  
 E2531 REAR DAMPER SHAFT  
 E2534 a DAMPER PISTON ( $\phi$ 1.35/5H)  
 E2535 a DAMPER PISTON ( $\phi$ 1.2/8H)  
 E2563-Ba REAR DAMPER STAY  
 E2564 SHOCK PIN  
 E2566-Ba REAR DAMPER STAY (CFRP)  
 E2569 a DAMPER PISTON ( $\phi$ 1.3/6H)  
 E2572 a EMULSION DAMPER CAP  
 E2573 EMULSION DAMPER CAP SEAL  
 E2574 a OW2x4x0.5 AL. WASHER  
 E2575 FRONT SHOCK TOWER  
 E2576 FRONT SHOCK TOWER (CFRP)



E2577 FRONT SHOCK SET  
 E2578 REAR SHOCK SET  
 E2602 8x16x5 NMB BEARINGS (2pcs.)  
 E2602/1 8x16x5 NMB BEARINGS (10pcs.)  
 E2603 6x13x5 NMB BEARINGS (2pcs.)  
 E2603/1 6x13x5 NMB BEARINGS (10pcs.)  
 E2704 PINION GEAR 18T  
 E2803 a SERVO HORN  
 E2804 a PIVOT BALL  
 E2808 ANTENNA PIPE (150mm)  
 E2813 TITANIUM STEERING ROD 52  
 E2823 REAR ROD ENDS  
 E2825 GUARD SET  
 E2828 BATTERY STRAP SET  
 E2828M (380mm) 1pc.  
 E2828L (455mm) 1pc.



FP18400a MIP Bypass1 Piston,6H Set,16mm  
 FP18410a MIP Bypass1 Piston,8H Set,16mm



H0181A-Ga 3mm SPACER 0.5mm  
 H0181B-Ga 3mm SPACER 1.0mm  
 H0181C-Ga 3mm SPACER 2.0mm  
 H0181D-Ga 3mm SPACER 3.0mm  
 H0274 ROLLER PIN  $\phi$ 2.5x11.8 (10pcs.)  
 H0855 a BALL LINK  $\phi$ 6mm (C0111C)  
 T2805 a AL. PIVOT BALL  $\phi$ 6