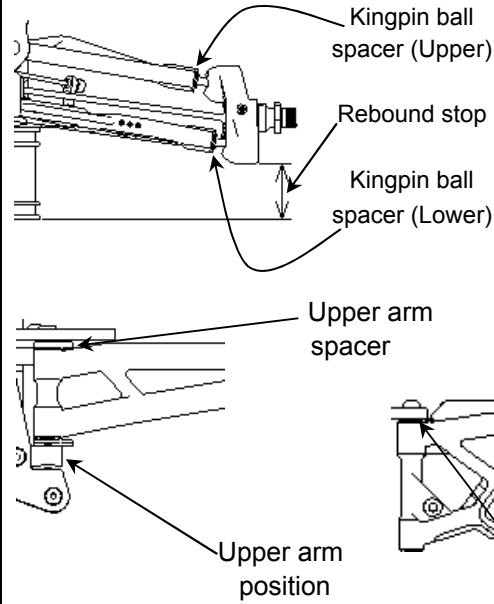


Name: _____
Date: _____
Track: _____

Track Conditions

Size:	<input type="checkbox"/> Open	<input type="checkbox"/> Med.	<input type="checkbox"/> Tight
Traction:	<input type="checkbox"/> High	<input type="checkbox"/> Med.	<input type="checkbox"/> Low
Surface:	<input type="checkbox"/> Smooth	<input type="checkbox"/> Med.	<input type="checkbox"/> Bumpy

Front Suspension



Kingpin ball spacer (Upper) _____ mm
 Kingpin ball spacer (Lower) _____ mm
 Upper arm spacer _____ mm
 Toe angle _____ °
 Rebound stop _____ mm
 Anti-roll bar φ _____ mm

Lower arm mount (Kick up)
 0
 1

Lower arm plate (E0154A)

Upper arm position (E0148B, E0148C)

Lower arm spacer _____ mm

Front Shocks

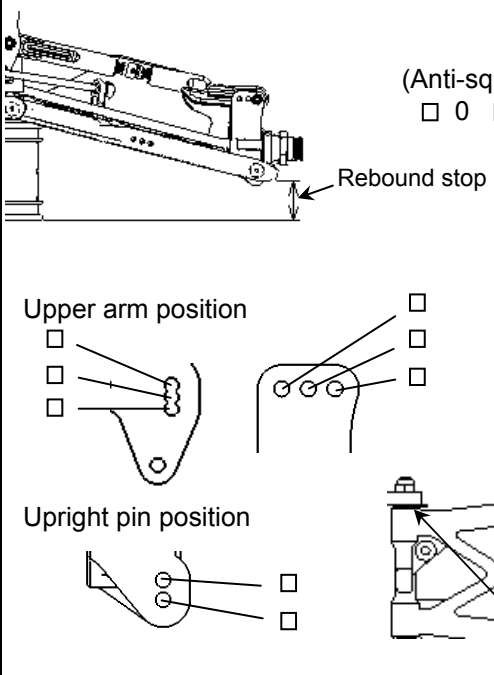
Piston _____
 Oil # _____
 Spring _____
 Spring adjustment _____ mm

Shock position

Steering Ackerman



Rear Suspension



Camber angle _____ °
 Lower arm mount _____ °
 (Anti-squat) 0 1
 (Toe angle) _____ °
 Rebound stop _____ mm
 Anti-roll bar φ _____ mm
 Anti-squat (E0111C, E0111D)

Upright E0152
 E0173 (Aluminium)

Wheelbase adjustment
 _____ mm

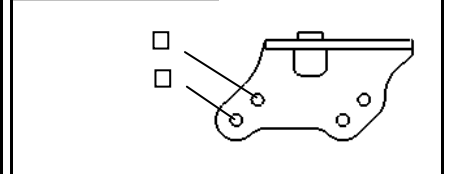
Lower arm spacer _____ mm

Rear Shocks

Piston _____
 Oil # _____
 Spring _____
 Spring adjustment _____ mm

Shock position

Wing Position



Engine Type _____
 Gasket _____ mm Reducer φ _____
 Plug _____ Fuel _____
 Muffler _____

Diff. Oil
 Front # _____ O-Ring _____ pcs. Other _____
 Center # _____ _____ pcs. Other _____
 Rear # _____ _____ pcs. Other _____

Tire

Front	Rear
Type _____	Type _____
Foam _____	Foam _____

Clutch Clutch shoes Aluminium _____
 Other _____
 Spring _____ mm
 Clutch bell / Spur gear _____ /

Result
 Race time / Lap _____
 Best lap (1Lap) _____

Comments:

