

DATE	8/22/2017
DRIVER	Atsushi Hara
TRACK	SRT

CARPET ASPHALT

TRACTION

LOW MEDIUM HIGH

LAYOUT

SLOW MIXED FAST

ELECTRIC'S

STEERING SERVO TYPE **Futaba** SETTINGS **BLS571SV**

ESC TYPE **Yokomo BL-PRO4**

ENGINE TYPE **Yokomo** SETTINGS **M3 - 4.5T**

TYRES/ADDITIVE TYPE **Rush** TYPE **MTG V3 Yellow**

FRONT FULL MIN. REAR FULL MIN.

SHOCK ABSORBERS

FRONT REAR

PISTON **Kit** PISTON **Kit**

OIL **#500** OIL **#500**

SPRING **Kit** SPRING **Kit**

ANTI ROLL BAR FRONT

1,2 1,3 1,4 1,5

ANTI ROLL BAR REAR

1,1 1,2 1,3 1,4

SERVO SAVER POSITION

FORWARD REARWARD

PINION **26T** SPUR **116T**

DIFF **SPOOL**

HIGH LOW

HIGH LOW

DIFF OIL CST **#5,000**

SHOCK POSITION LOWER ARM

PART# **Kit** PART# **Kit**

HOLE POSITION BALL LINK INSIDE OUTSIDE

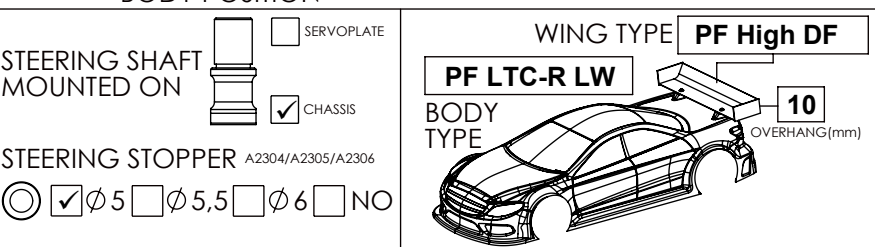
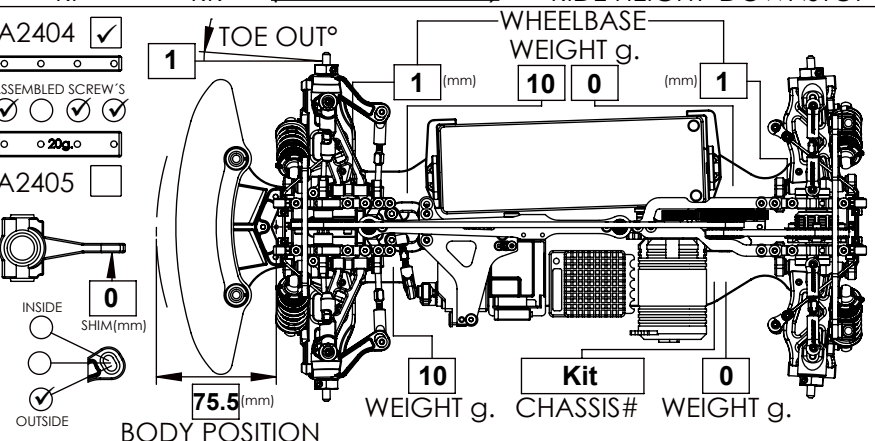
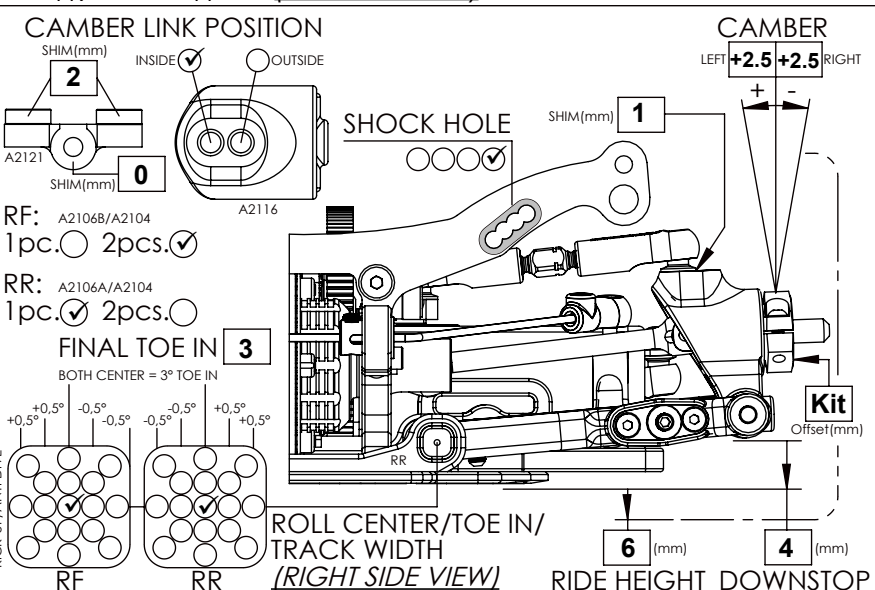
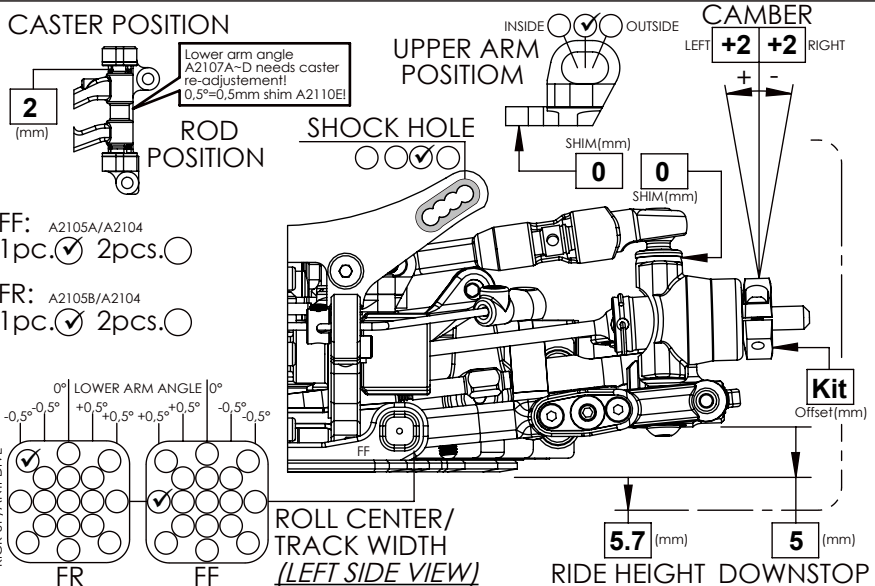
HOLE POSITION BALL LINK INSIDE OUTSIDE

FLEX

ULTRAFLEX

TOPDECK

SCREW'S ASSEMBLED



NOTES: