

DRIVER	Shoki Takahata	
DATE	Sep, 2017	
TRACK	2017 WC, France	

TRACTION

LOW <input type="checkbox"/>	MEDIUM <input checked="" type="checkbox"/>	HIGH <input type="checkbox"/>
------------------------------	--	-------------------------------

LAYOUT

SLOW <input type="checkbox"/>	MIXED <input checked="" type="checkbox"/>	FAST <input type="checkbox"/>
-------------------------------	---	-------------------------------

ENGINE

TYPE	O.S Speed R2103	
GLOW PLUG/FUEL PIPE/MANIFOLD	P7	Runner Time
	O.S-T-2080	O.S

CLUTCH SETTINGS

SHOE#/BELL#	STD	STD
CLEARANCE(mm) / AXIALPLAY(mm)	0.6	0.2
SPRING#/TENSION(mm)	STD	0.1

TYRES

CONTROLLED

FRONT		BRAND	REAR	
LEFT	RIGHT		LEFT	RIGHT
		Matrix		
		SHORE		
69	69	DIAMETER START	76	76
		DIAMETER 5min		

SHOCK ABSORBERS

FRONT

PISTON	1.1x2	PISTON	1.1x2
OIL	450	OIL	600
SPRING	Black	SPRING	Gray

ANTI ROLL BAR FRONT

2,2 <input checked="" type="checkbox"/>	2,3 <input type="checkbox"/>	2,4 <input type="checkbox"/>	2,5 <input type="checkbox"/>
---	------------------------------	------------------------------	------------------------------

ANTI ROLL BAR REAR

2,8 <input checked="" type="checkbox"/>	2,9 <input type="checkbox"/>	3,0 <input type="checkbox"/>
---	------------------------------	------------------------------

SERVO SAVER POSITION

FORWARD <input type="checkbox"/>	REARWARD <input checked="" type="checkbox"/>	<input type="checkbox"/>	<input checked="" type="checkbox"/>
----------------------------------	--	--------------------------	-------------------------------------

PINION 1st

15T <input type="checkbox"/>	16T <input checked="" type="checkbox"/>
------------------------------	---

PINION 2nd

19T <input type="checkbox"/>	20T <input checked="" type="checkbox"/>
------------------------------	---

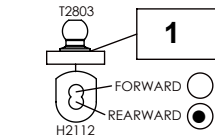
SPUR 1st

48T <input type="checkbox"/>	49T <input type="checkbox"/>	50T <input checked="" type="checkbox"/>
------------------------------	------------------------------	---

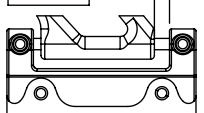
SPUR 2nd

45T <input type="checkbox"/>	46T <input checked="" type="checkbox"/>	47T <input type="checkbox"/>
------------------------------	---	------------------------------

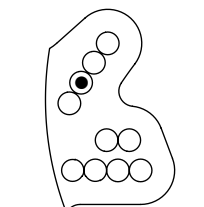
STEERING ROD POSITION



CASTER ANGLE (mm)



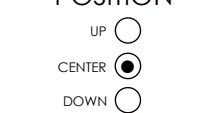
SHOCK/UPPER ROD POSITION



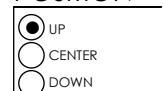
SHOCK POSITION H2115



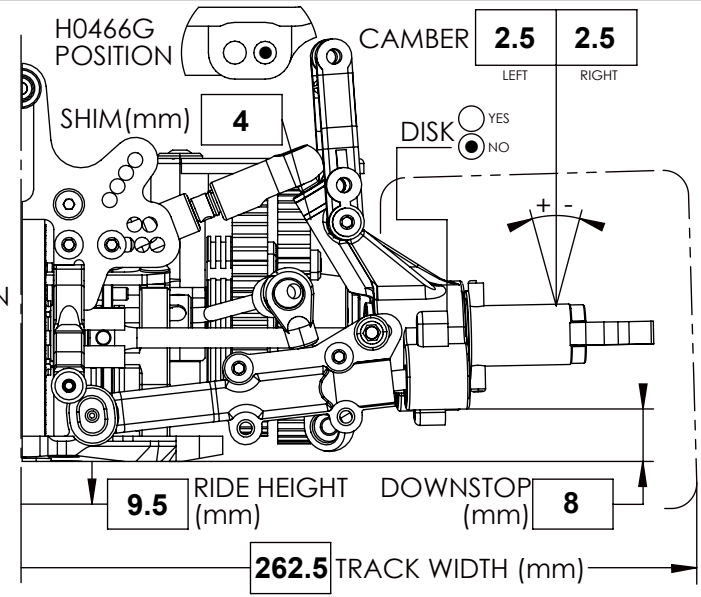
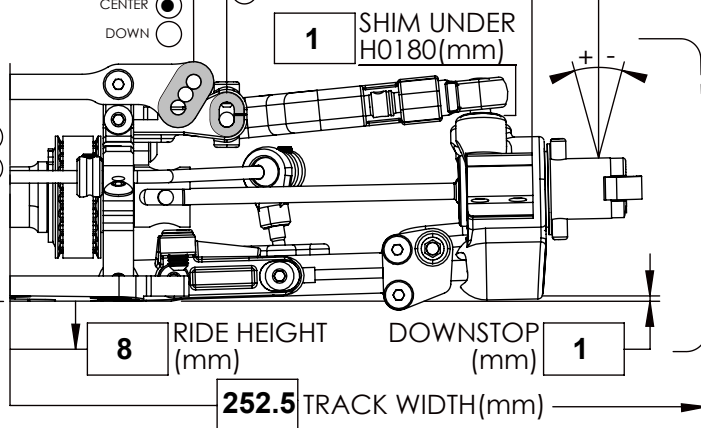
LOWER ARM POSITION



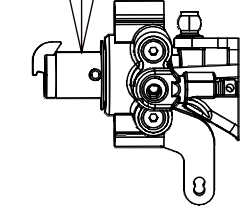
UPPER ARM POSITION



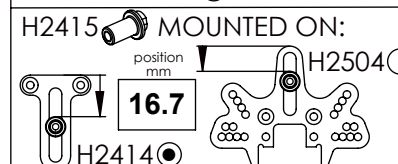
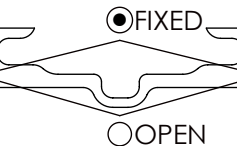
CAMBER



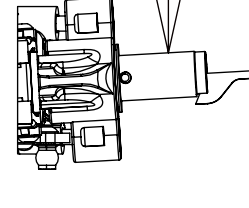
FRONT TOE



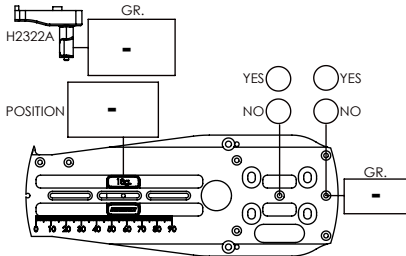
RADIOPLATE FLEX



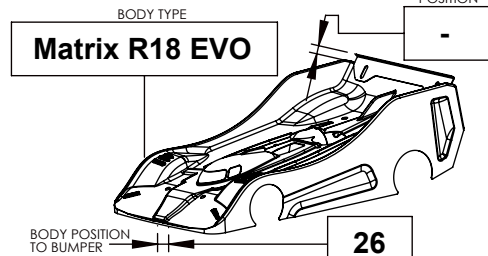
REAR TOE



WEIGHT DISTRIBUTION



AERO/SETTING



NOTES:

* Use Proto-type: H2411, H2150, and H2115