

DRIVER	Shoki Takahata	
DATE	November 5, 2017	
TRACK	SRT, 2017 Japan Nats	

## TRACTION

LOW <input type="checkbox"/>	MEDIUM <input checked="" type="checkbox"/>	HIGH <input type="checkbox"/>
------------------------------	--	-------------------------------

## LAYOUT

SLOW <input type="checkbox"/>	MIXED <input checked="" type="checkbox"/>	FAST <input type="checkbox"/>
-------------------------------	---	-------------------------------

## ENGINE

TYPE	O.S Speed R2103	
GLOW PLUG/FUEL PIPE/MANIFOLD	RP7	NASA
	O.S-T-2080	O.S

## CLUTCH SETTINGS

SHOE#/BELL#	STD	STD
CLEARANCE(mm)/AXIALPLAY(mm)	0.7	0.2
SPRING#/TENSION(mm)	STD	0.1

## TYRES

### CONTROLLED

FRONT		BRAND	REAR	
LEFT	RIGHT	ZAC	LEFT	RIGHT
		SHORE		
68	68	DIAMETER START	75	75
		DIAMETER 5min		

## SHOCK ABSORBERS

### FRONT REAR

PISTON	1.3x1	PISTON	1.1x2
OIL	600	OIL	700
SPRING	White	SPRING	White

## ANTI ROLL BAR FRONT

2,2 <input checked="" type="checkbox"/>	2,3 <input type="checkbox"/>	2,4 <input type="checkbox"/>	2,5 <input type="checkbox"/>
---	------------------------------	------------------------------	------------------------------

## ANTI ROLL BAR REAR

2,8 <input checked="" type="checkbox"/>	2,9 <input type="checkbox"/>	3,0 <input type="checkbox"/>
---	------------------------------	------------------------------

## SERVO SAVER POSITION

FORWARD <input type="checkbox"/>	REARWARD <input checked="" type="checkbox"/>
----------------------------------	--

## PINION 1st

15T <input type="checkbox"/>	16T <input checked="" type="checkbox"/>
------------------------------	---

## PINION 2nd

19T <input type="checkbox"/>	20T <input checked="" type="checkbox"/>
------------------------------	---

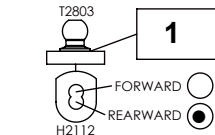
## SPUR 1st

48T <input type="checkbox"/>	49T <input type="checkbox"/>	50T <input checked="" type="checkbox"/>
------------------------------	------------------------------	---

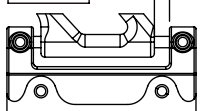
## SPUR 2nd

45T <input type="checkbox"/>	46T <input checked="" type="checkbox"/>	47T <input type="checkbox"/>
------------------------------	---	------------------------------

## STEERING ROD POSITION



## CASTER ANGLE (mm)



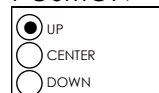
## SHOCK POSITION H2115



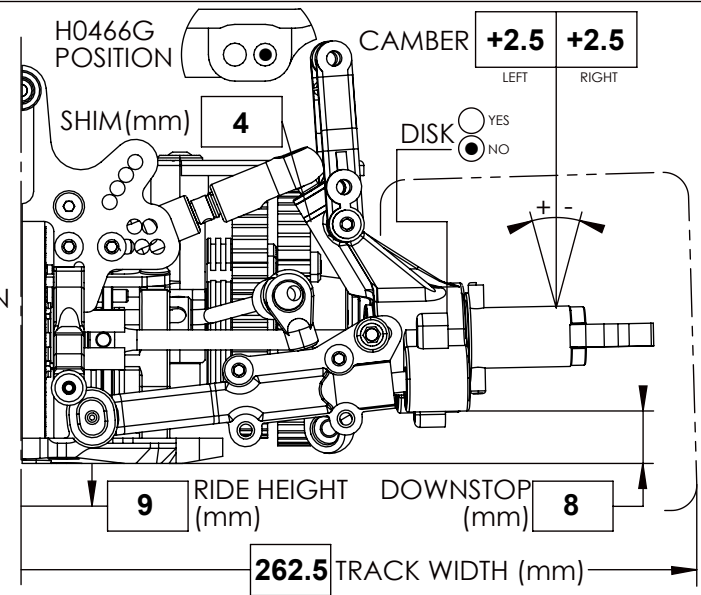
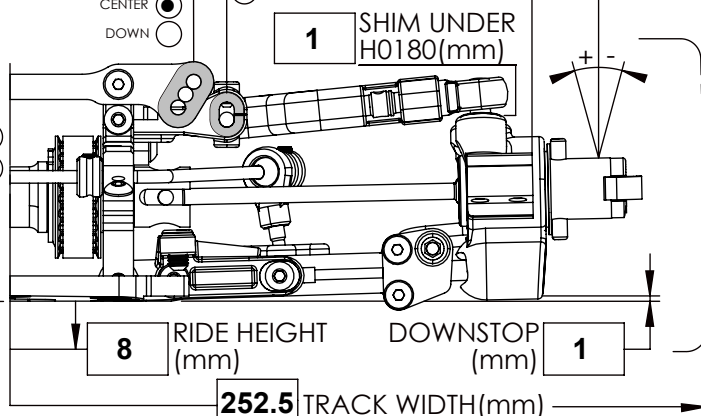
## LOWER ARM POSITION



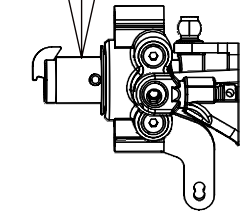
## UPPER ARM POSITION



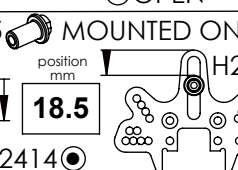
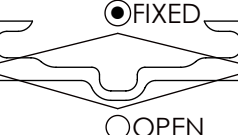
## CAMBER



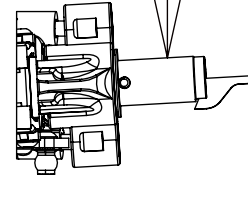
## FRONT TOE



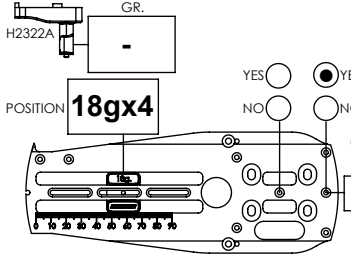
## RADIOPLATE FLEX



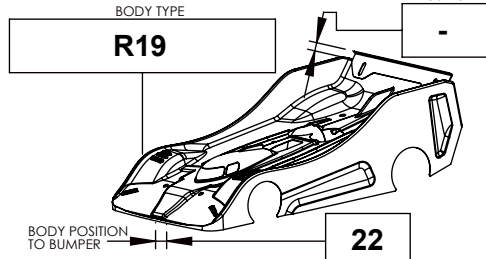
## REAR TOE



## WEIGHT DISTRIBUTION



## AERO/SETTING



## NOTES:

\* Use Proto-type chassis and rear lower bulkhead  
プロトタイプシャーシとリアローバルクヘッドを使用