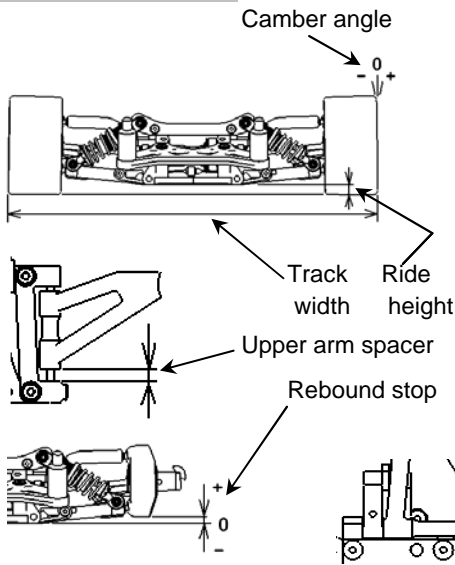


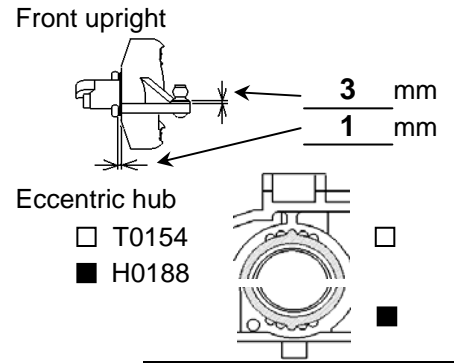
Name: Walter Salemi
Date: 2009/6/28
Track: Lostallo Pre-Worlds

Track Conditions
 Size: Open Med. Tight
 Traction: High Med. Low
 Surface: Smooth Med. Bumpy

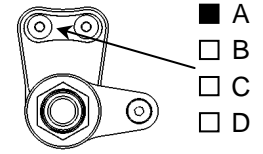
Front suspension



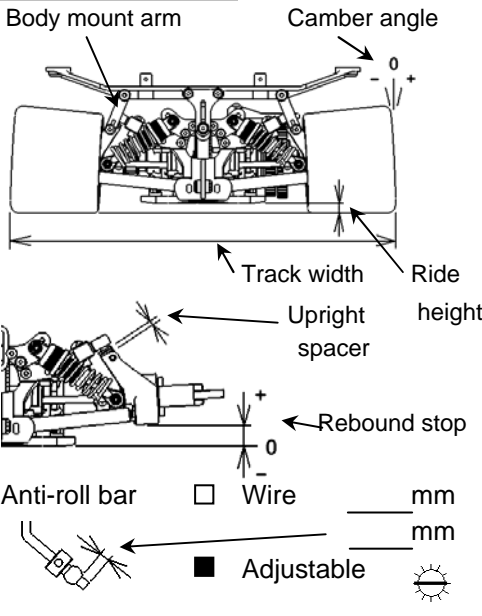
Track width 254 mm
 Ride height 7.5 mm
 Camber angle 1.0 ; 0.5 °
 Upper arm spacer 2 mm
 Toe angle 1 °
 Rebound stop 2 mm
 Bump stop None Use 9
 Lower arm spacer 0 mm
 Upper arm position 0 mm
 Anti-roll bar 1mm spacer



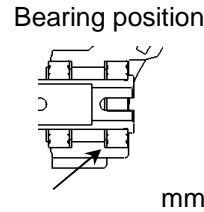
Steering ackerman



Rear suspension



Track width 264 mm
 Ride height 12.0 mm
 Camber angle 2.0 ; 1.5 °
 Toe angle 1.5 °
 Rebound stop 8 mm
 Bump stop None Use
 Lower arm position(H0134)
 4.5mm 5mm 5.5mm



Upright spacer 1 mm
 Upper arm position
 Eccentric hub
 T0154
 H0188
 Body mount arm
 H0466C(Short)
 H0466F(Long)

Front shock

Piston one original
 Oil # 500
 Springs White
 Shock position

Rear shock

Piston two original
 Oil # 600
 Springs White
 Shock position

Engine Type SM Boss Muffler _____
 Gasket _____ mm Manifold _____
 Plug _____ Fuel _____

Clutch
 Clutch shoe Yellow Gray Red
 Centrifugal shoe 3 original
 Spring personal
 Clutch bell clearance 0.6 mm
 Spring adj. nut position 0.8 mm

Tire <Front> Type GRP/Enneti <Rear> Type GRP/Enneti
 Dia.(start) L 67 /R 66 Dia.(start) L 74 /R 73
 Dia.(finish) L /R Dia.(finish) L /R

Brake pad Black Yellow

Body Type Blitz
 Body position 7 - 8 mm
 Rear spoiler 3 mm

Drive ratio Gear ratio Side pulley
 1st. 16/49 25T
 2nd. 21/47 26T

Result
 Race time / Lap _____
 Best lap (1Lap) _____

Comments:

