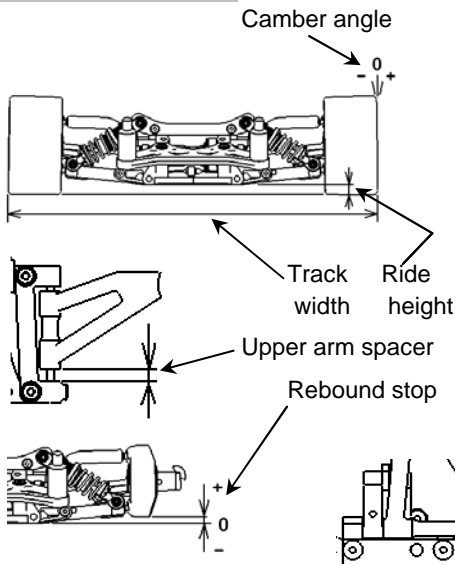


Name: Rick Vrielijsck
Date: _____
Track: Lostalio

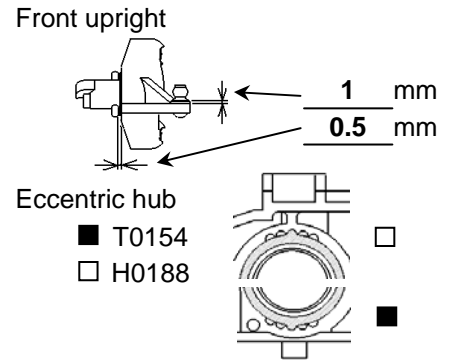
Track Conditions

Size: Open Med. Tight
 Traction: High Med. Low
 Surface: Smooth Med. Bumpy

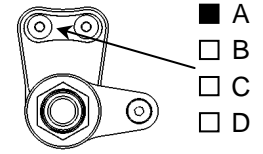
Front suspension



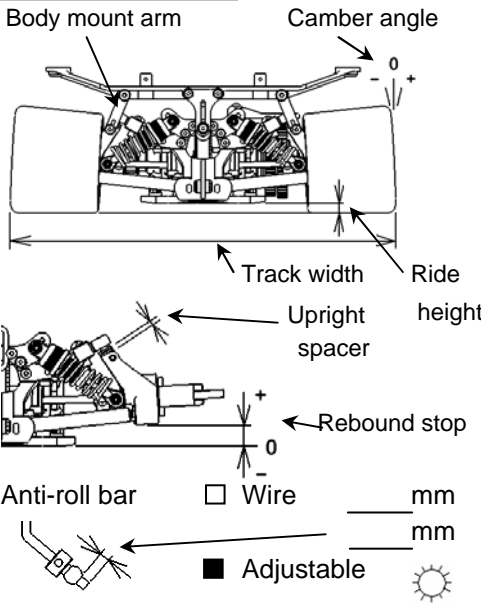
Track width 253 mm
 Ride height _____ mm
 Camber angle -2 °
 Upper arm spacer 2 mm
 Toe angle out 1 °
 Rebound stop 1 mm
 Bump stop None Use
 Lower arm spacer 0 mm
 Upper arm position 1 mm
 Anti-roll bar



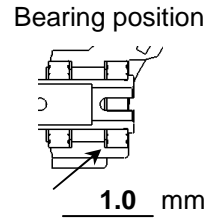
Steering ackerman



Rear suspension



Track width 263 mm
 Ride height _____ mm
 Camber angle 3/2.5 °
 Toe angle in 2.5 °
 Rebound stop 8 mm
 Bump stop None Use
 Lower arm position (H0134) 4.5mm 5mm 5.5mm
 Upright spacer 3 mm
 Upper arm position _____ mm
 Eccentric hub
 T0154
 H0188
 Body mount arm
 H0466C (Short)
 H0466F (Long)



Front shock

Piston 1X1.3
 Oil # 500
 Springs Yellow
 Shock position

Rear shock

Piston Stock
 Oil # 500
 Springs Grey
 Shock position

Engine Type _____ Muffler _____
 Gasket _____ mm Manifold _____
 Plug _____ Fuel _____

Clutch

Clutch shoe Yellow Gray Red
 Centrifugal shoe H0775
 Spring shepard
 Clutch bell clearance 0.7 mm
 Spring adj. nut position 1 mm

Tire <Front> Type ZAC STD 32 <Rear> Type ZAC A 35
 Dia.(start) L 69 /R 69 Dia.(start) L 76 /R 76
 Dia.(finish) L /R Dia.(finish) L /R

Brake pad

Black Yellow

Body Type _____
 Body position _____ mm
 Rear spoiler _____ mm

Drive ratio

Gear ratio Side pulley
 1st. 16/49 25T
 2nd. 20/45 26T

Result
 Race time / Lap _____
 Best lap (1Lap) _____

Comments:

