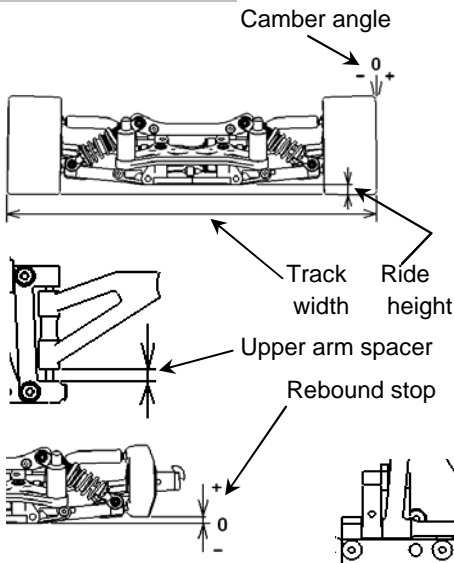


Name: Andrea Pirani
Date: 2009/6/24-29
Track: Lostallo Pre-Worlds

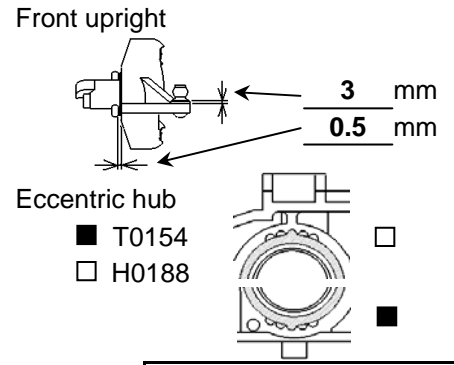
Track Conditions

Size: Open Med. Tight
 Traction: High Med. Low
 Surface: Smooth Med. Bumpy

Front suspension



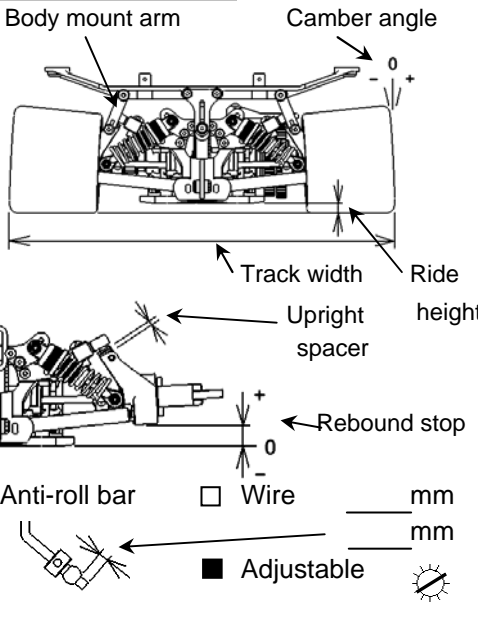
Track width 252.5 mm
 Ride height 7.2 mm
 Camber angle 2 °
 Upper arm spacer 2 mm
 Toe angle 1.5 °
 Rebound stop 2 mm
 Bump stop None Use
 Lower arm spacer 0 mm
 Upper arm position 0 mm
 Anti-roll bar



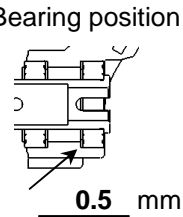
Steering ackerman

A
 B
 C
 D

Rear suspension



Track width 262.5 mm
 Ride height 9.5 mm
 Camber angle 3 °
 Toe angle 2 °
 Rebound stop 8 mm
 Bump stop None Use
 Lower arm position(H0134)
 4.5mm 5mm 5.5mm
 Upright spacer 3 mm
 Upper arm position
 Eccentric hub
 T0154
 H0188
 Body mount arm
 H0466C(Short)
 H0466F(Long)



Front shock

Piston 1.2
 Oil # 500
 Springs White
 Shock position

Rear shock

Piston 1.1 original
 Oil # 500
 Springs White
 Shock position

Engine Type Novarossi Muffler _____
 Gasket 7 mm Manifold _____
 Plug 7 cold Fuel Orion World Champ.

Clutch
 Clutch shoe Yellow Gray Red
 Centrifugal shoe 3
 Spring Urtra hard
 Clutch bell clearance _____ mm
 Spring adj. nut position 0.8 mm

Tire <Front> Type J-Tech 32 <Rear> Type J-Tech 35
 Dia.(start) L 66 /R 66 Dia.(start) L 73 /R 73
 Dia.(finish) L /R Dia.(finish) L /R

Brake pad Black Yellow

Body Type Blitz 09
 Body position 7.5 mm
 Rear spoiler 2.5 mm

Drive ratio Gear ratio Side pulley
 1st. 17/50 25T
 2nd. 21/46 26T

Result
 Race time / Lap _____
 Best lap (1Lap) 19.82

Comments:

