

Name: Ryan Maifield
 Date: November 2018
 Track: 2018 Worlds Perth

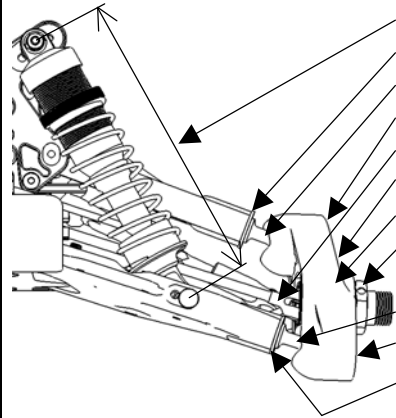
Track conditions

Size: Open Med. Tight
 Traction: High Med. Low
 Surface: Smooth Med. Bumpy

Result

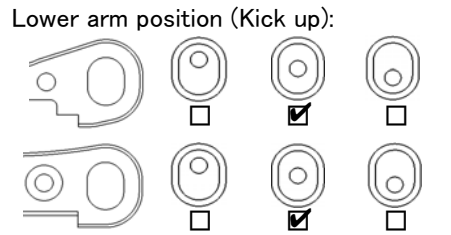
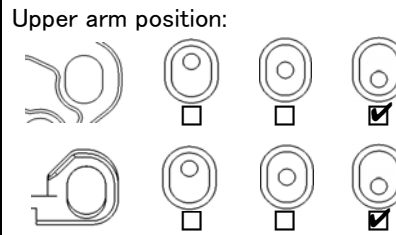
Race time / Lap: _____
 Best lap (1Lap): _____

Front suspension



Rebound stop: 104mm
 Kingpin ball spacer: .3mm
E0160 E2123(Steel)
E0159 E2124(Steel)
E2218 E0220(CVD)
E2153 E2168(-3)
E2146 E2147(1.5)
E0239 E0240(1mm)
E0160 E2123(Steel)
E0159 E2124(Steel)
 Kingpin ball spacer: .7mm

Ride height: 25mm
 Toe angle: 28mm
 Lower arm plate:
E2144A,B
E2154(CFRP 1mm)
E2155(CFRP 1.2mm)
 Anti roll bar: φ2.3
 Upper arm spacer: 2mm
 Lower arm spacer: 1mm

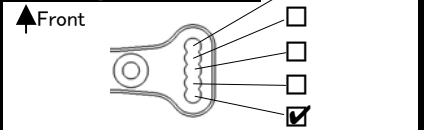


Front shocks

Piston: 6 hole Oil: 600
 Spring: 9.0
 Shock position:

 Pivot ball position: Front Rear
 Damper stay: E2562(Aluminum)
E2565(CFRP)

Steering ackerman



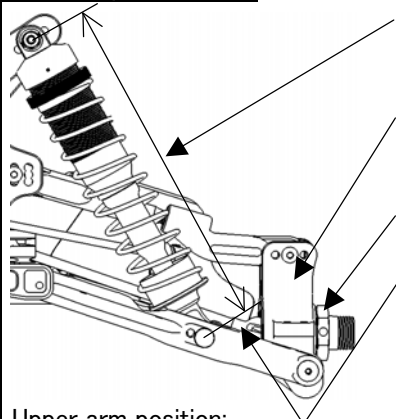
Front upper plate

E2148D E2158(CFRP)

Servo saver arm

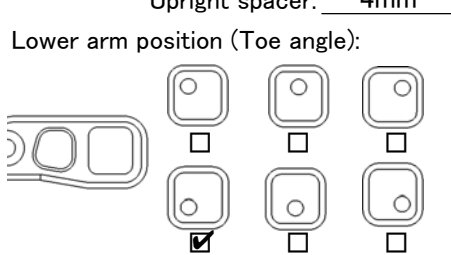
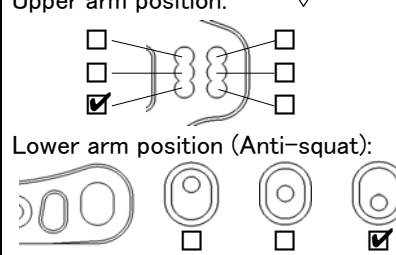
E2301A E2310(Aluminum)

Rear suspension



Rebound stop: 119mm
E2131
E2134(Aluminum)
E0239 E0240(1mm)
E2219 E0220(CVD)
E0241(2mm)

Ride height: 26mm
 Camber angle: 20mm
 Lower arm plate:
E2145A,B
E2156(CFRP 1mm)
E2157(CFRP 1.2mm)
 Anti roll bar: φ2.7
 Lower arm spacer: 1mm
 Upright spacer: 4mm



Rear shocks

Piston: 6 hole Oil: 450
 Spring: 10.5
 Shock position:

 Pivot ball position: Front Rear
 Damper stay: E2563(Aluminum)
E2566(CFRP)

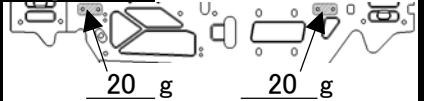
Center shaft

E2228,E2229
E0223,E0259(CVD) E2261,E2262

Tension rod

Front: E2107A(Long) E2107B(Short)
 Rear: E2148C E0803(Rubber)

Weight



Engine

Type: _____ Plug: _____ Reducer: _____
 Muffler: _____ Fuel: _____ Gasket: _____
 Engine mount: E0701(Standard) E2713(One Piece)

Diff. gear

		Oil
Front:	<input checked="" type="checkbox"/> 44/13T <input type="checkbox"/> 42/12T	#6,000
Rear:	<input checked="" type="checkbox"/> 44/13T <input type="checkbox"/> 42/12T	#4,000
Center:	<input type="checkbox"/> 44T <input checked="" type="checkbox"/> 46T	#6,000
	<input type="checkbox"/> 47T <input type="checkbox"/> 48T	

Tires

	Front	Rear
Type:	Jconcepts detox	Jconcepts detox
Compound:		
Inserts:	Standard	Standard
Wheel:	Jconcepts	Jconcepts

Clutch

Clutch bell: 13T 14T

	φ0.9	φ0.95	φ1.0	φ1.05	φ1.1
A	<input type="checkbox"/> C0754 <input type="checkbox"/> E0704 <input type="checkbox"/> E0710				
B	<input type="checkbox"/> C0754 <input type="checkbox"/> E0704 <input type="checkbox"/> E0710				
C	<input type="checkbox"/> C0754 <input type="checkbox"/> E0704 <input type="checkbox"/> E0710				

Body/Wing

Body: JC S15
 Wing: AE
 Wing stay: E2422A E2428A(+15)
 Wing position:

Comments

MIP pistons, Center Dog Bones, JC front nose scoop, AE clutch 2 plastic/
 2 aluminum shoes, green springs on plastic, gold on aluminum shoes,
 Mugen NMB 8x16x5 bearings.